

### ■ DESCRIPTION

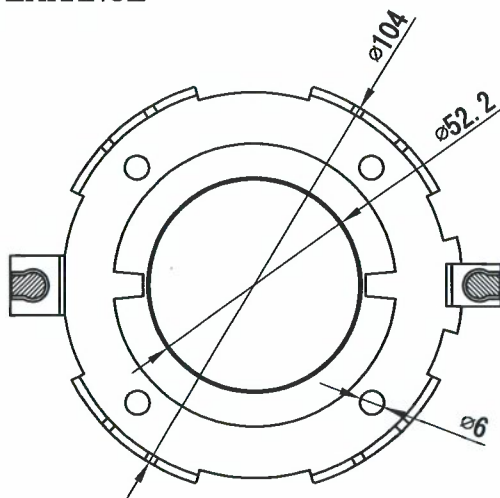
TOA's ZG-30D-A is a speaker diaphragm that mainly part of horn speaker.

A designated by polyimide material, that can produce good quality sound and strong to power handling.

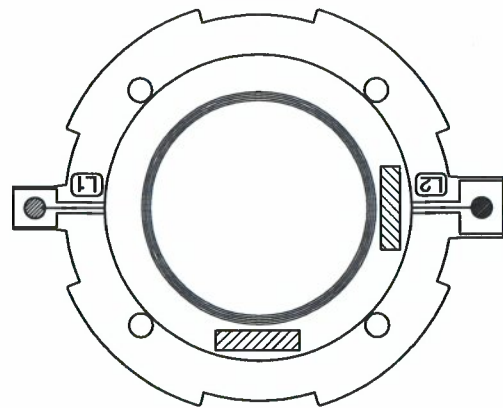
### ■ SPECIFICATION

Applicable driver unit	ZH-5025B CE, ZH-5025B CE-P, ZH-5025BB CE-P, ZH-5025BM CE-P
Rated Input	25 WATT (When operated with ZH-5025B Series)
Rated Impedance	16 Ω (When operated ZH-5025B with JIS C 5504 standard horn)
Sound Pressure Level	110 dB (1W, 1m ) (When operated ZH-5025B with JIS C 5504 standard horn)
Frequency Response	150 - 6,000Hz (When operated ZH-5025B with JIS C 5504 standard horn)
Dimensions	∅104 mm X 24 (D) mm (∅ 4.094" X 0.945")
Weight	24 g (0.052 lb)

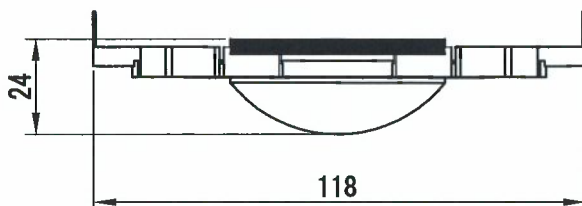
### ■ APPEARANCE



Bottom View



Top View



Side View

UNIT: mm Scale 1 / 2