

DESCRIPTION

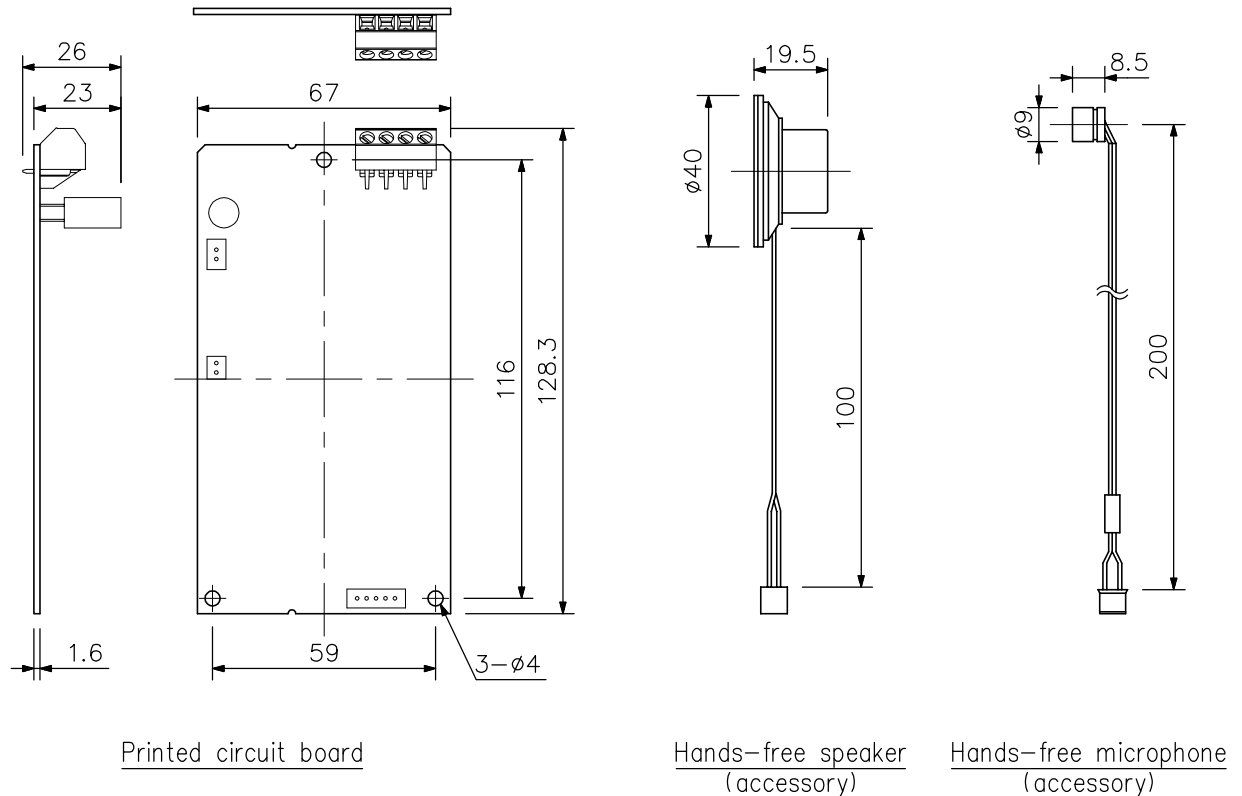
The N-8050SB is a printed circuit board unit for the N-8050DS Door Station, You can make the sub station suitable for applications using the N-8050SB in combination with the operation panel section to be prepared separately.

SPECIFICATIONS

* 0 dB = 1 V

Power Source	48 V DC (supplied from the IP intercom exchange (option))
Power Consumption	1.8 W (at rated), 2.4 W (max.)
Wiring Method	Non-polar one pair stranded wire system
Transmission System	2 wire 160 kbps echo canceller transmission system
Signal Level	Under 0 dB*
Speech Method	Hands-free conversation
Audio Frequency Range	300 - 7,000 Hz
Transmission Range	Max. 1500 m (∅0.65 mm, Loop resistance 170 Ω)
Hands-free	Speaker (accessory): 3.5 cm cone-type, 1 W, 8 Ω Microphone (accessory): Omni-directional electret condenser microphone
Contact Output	Open collector output, withstand voltage: Max. 30 V DC, control current: Max. 50 mA one shot: can be set from 1 to 9 sec, screw terminal (polarized)
Line Connection Terminal	2 wire, screw terminal (non-polar)
Status Indicator LED Connecting Terminal	Solderless connector (5 pins, male), voltage: 5 V, maximum load current: 4.1 mA
Call Button Connecting Terminal	Solderless connector (5 pins, male), open voltage: 3.3 V DC, short-circuit current: 1.5 mA
Operation Temperature	-10°C to +50°C
Operation Humidity	Under 90% RH (no condensation)
Dimensions	67 (W) × 128.3 (H) × 26 (D) mm
Weight	100 g (including accessories)
Accessory	Hands-free speaker (with connection cord) ...1, Hands-free microphone (with connection cord) ...1

APPEARANCE



UNIT:mm SCALE:1/2