

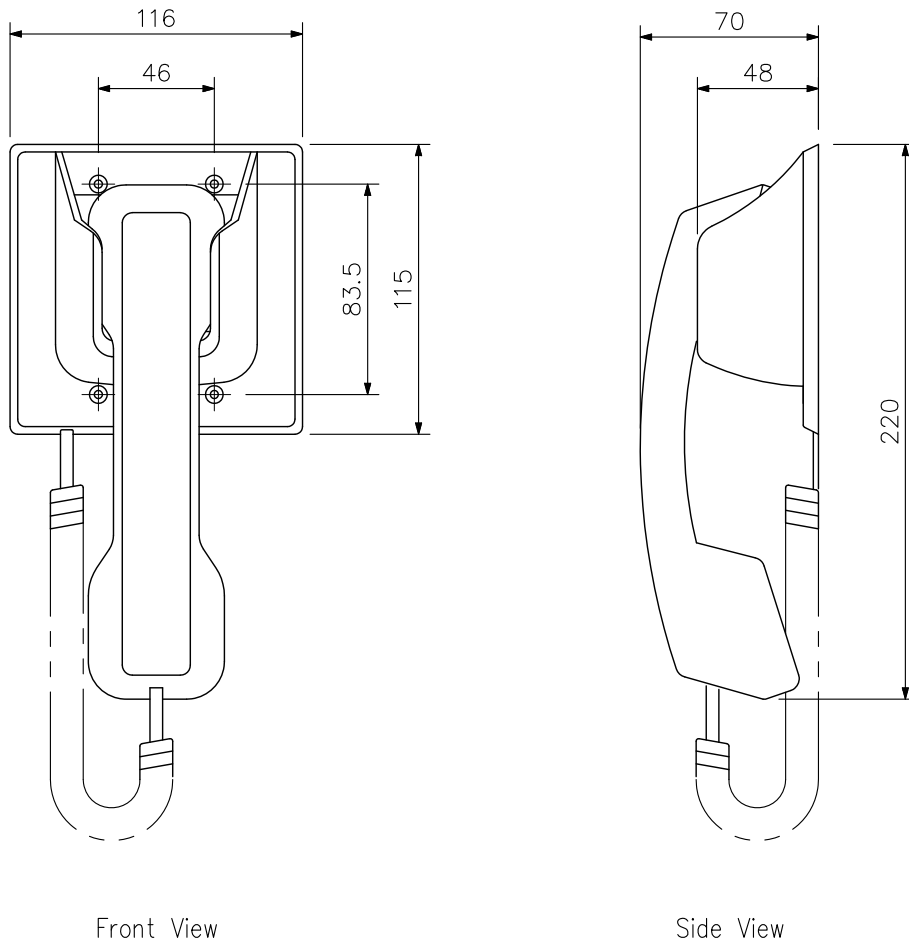
■ DESCRIPTION

The RS-191 Handset is designed exclusively for use indoors in combination with the RS-190 Substation. Lifting the handset permits handset conversation. Handset conversation can be established in conjunction with the optional Flush-mount Hands-free Master Station N-8031MS.

■ SPECIFICATIONS

Handset Receiver	Dynamic type
Handset Transmitter	Electret condenser type
Operating Temperature	0 °C to +40 °C (Temperature range not to freeze the speaker and switch)
Finish	ABS resin, pale white
Dimensions	116 (W) × 220 (H) × 70 (D) mm
Weight	330 g
Accessory	Box mounting screw (No.6-32UNC × 18)4, Box mounting screw (M4 × 25)4

■ APPEARANCE



UNIT: mm SCALE: 1/3