

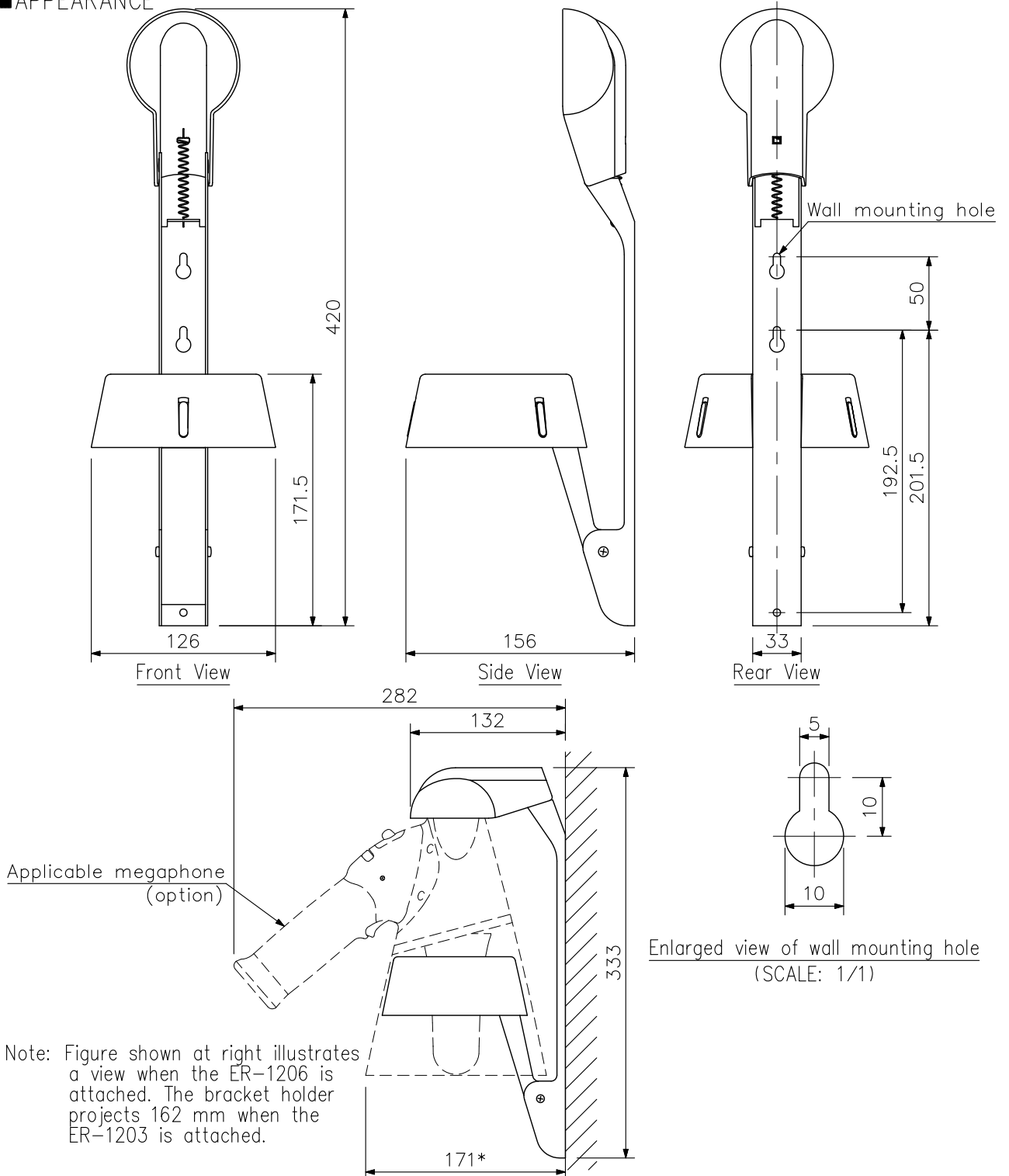
■DESCRIPTION

The SP-1100 bracket is designed to be used exclusively to mount the ER-1203 and ER-1206 series megaphones on a wall.

■SPECIFICATIONS

Finish	Stay: Stainless steel Holder and Dustproof cover: ASA resin, clear dark gray
Dimensions	126 (W) × 420 (H) × 156 (D) mm (when the dustproof cover and holder are opened)
Weight	410 g
Accessory	Wall mounting screw (SUS self-tapping screw 4 × 16) ...2
Applicable Megaphone (option)	ER-1203, ER-1206, ER-1206S, ER-1206W

■APPEARANCE



Note: Figure shown at right illustrates a view when the ER-1206 is attached. The bracket holder projects 162 mm when the ER-1203 is attached.

UNIT:mm SCALE:1/4 Wall mounted view (SCALE: 1/5)