

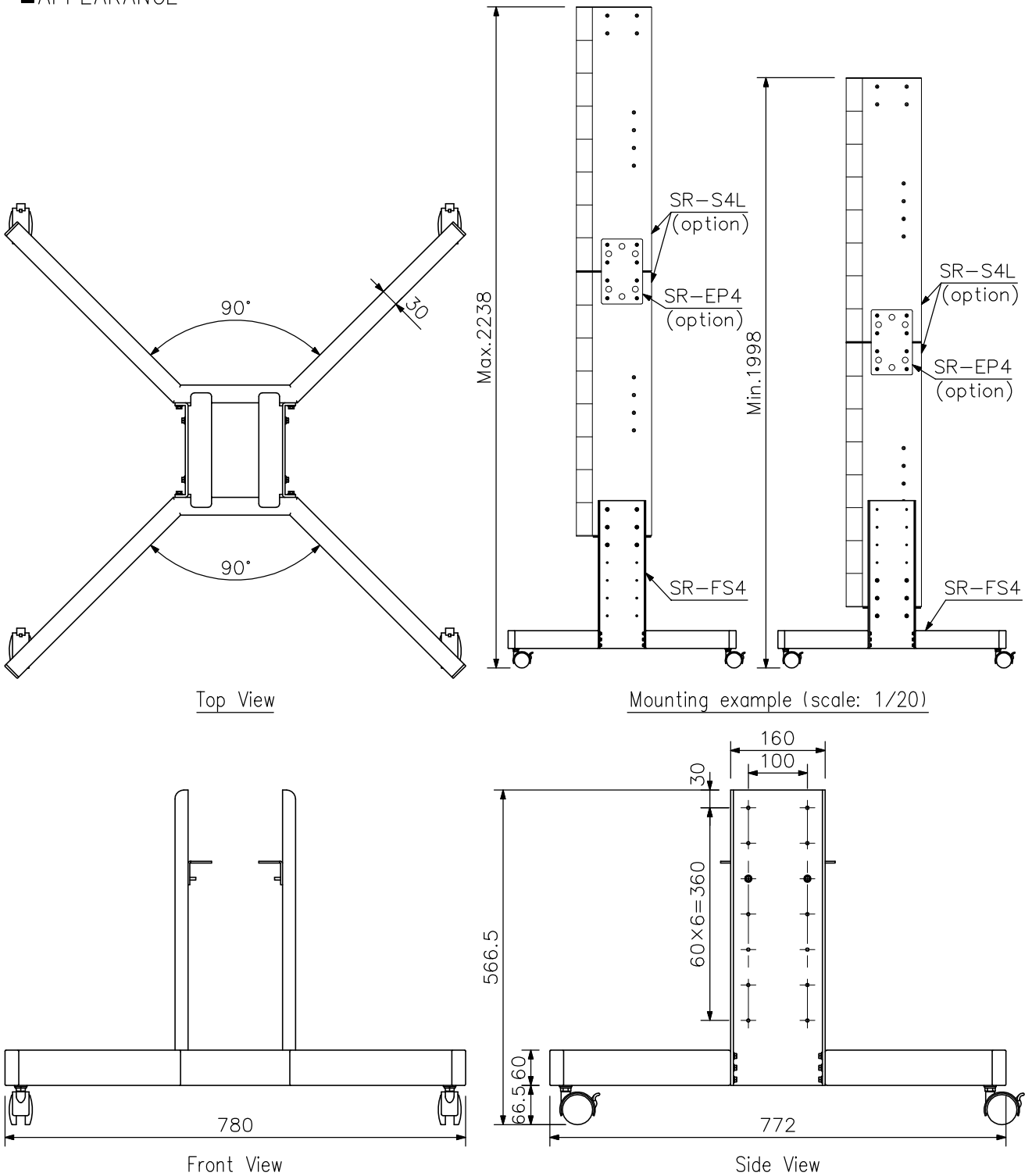
DESCRIPTION

The SR-FS4 Floor Stand is designed exclusively for use with a stack of 2 SR-S4L Line Array Speakers. Mounted on casters with lock, it can be easily moved.

SPECIFICATIONS

Number of Speakers to be Mounted	2 (when jointed with an optional SR-EP4)
Finish	Steel plate, white, paint
Weight	12 kg
Accessory	Speaker mounting screw (M5 upset head) ×8
Option	Extension plate: SR-EP4

APPEARANCE



UNIT: mm SCALE: 1/10