

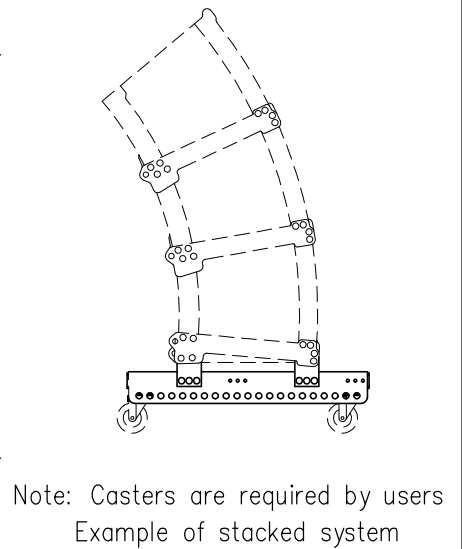
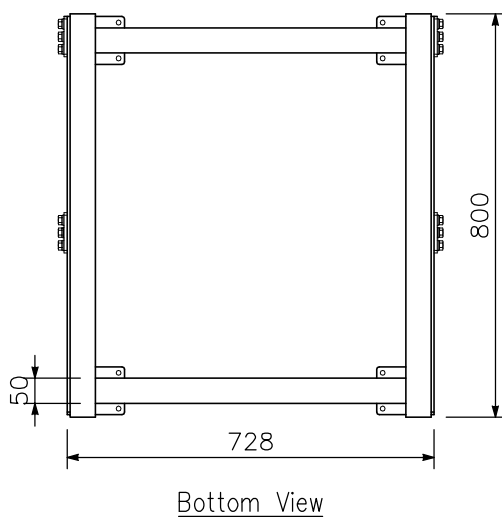
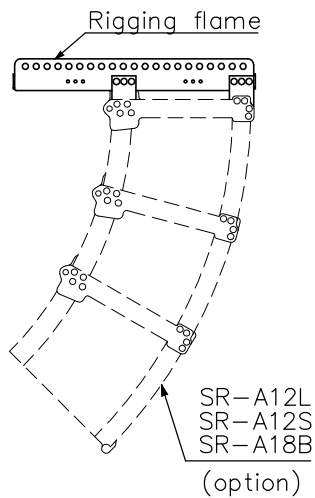
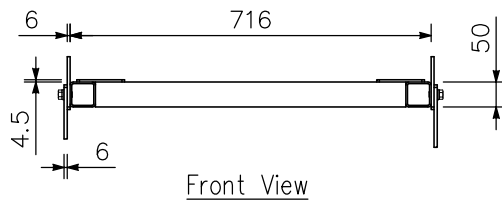
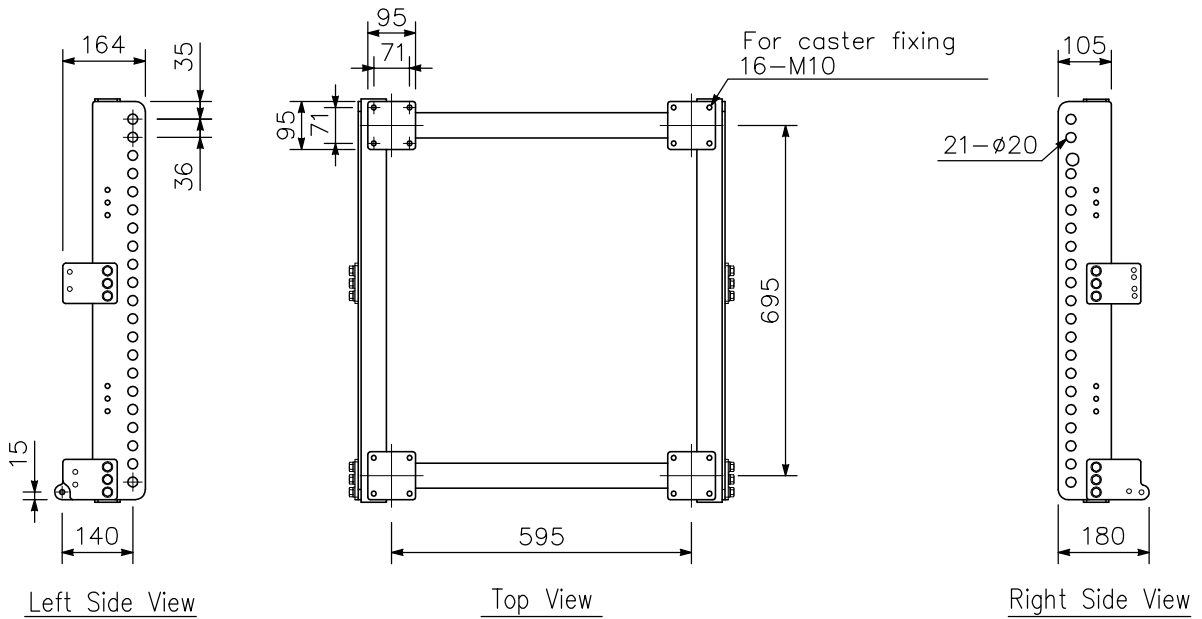
DESCRIPTION

The SR-RF12 Rigging Frame is used for flying or stacking the SR-A12L, SR-A12S, or SR-A18B Line array speakers.

SPECIFICATIONS

Number of Speakers to be Mounted	Flying: Max. 8 (SR-A18B (option) is counted as 1.5 pieces.) Stacked system: Max. 5.5 (SR-A18B (option) is counted as 1.5 pieces.)
Finish	Steel plate, black, paint
Dimensions	728 (W) × 164 (H) × 800 (D) mm (excluding bolt)
Weight	22 kg (including accessories)
Accessory	Plate mounting bolt (M10) ×12

APPEARANCE



UNIT:mm SCALE:1/15