

### DESCRIPTION

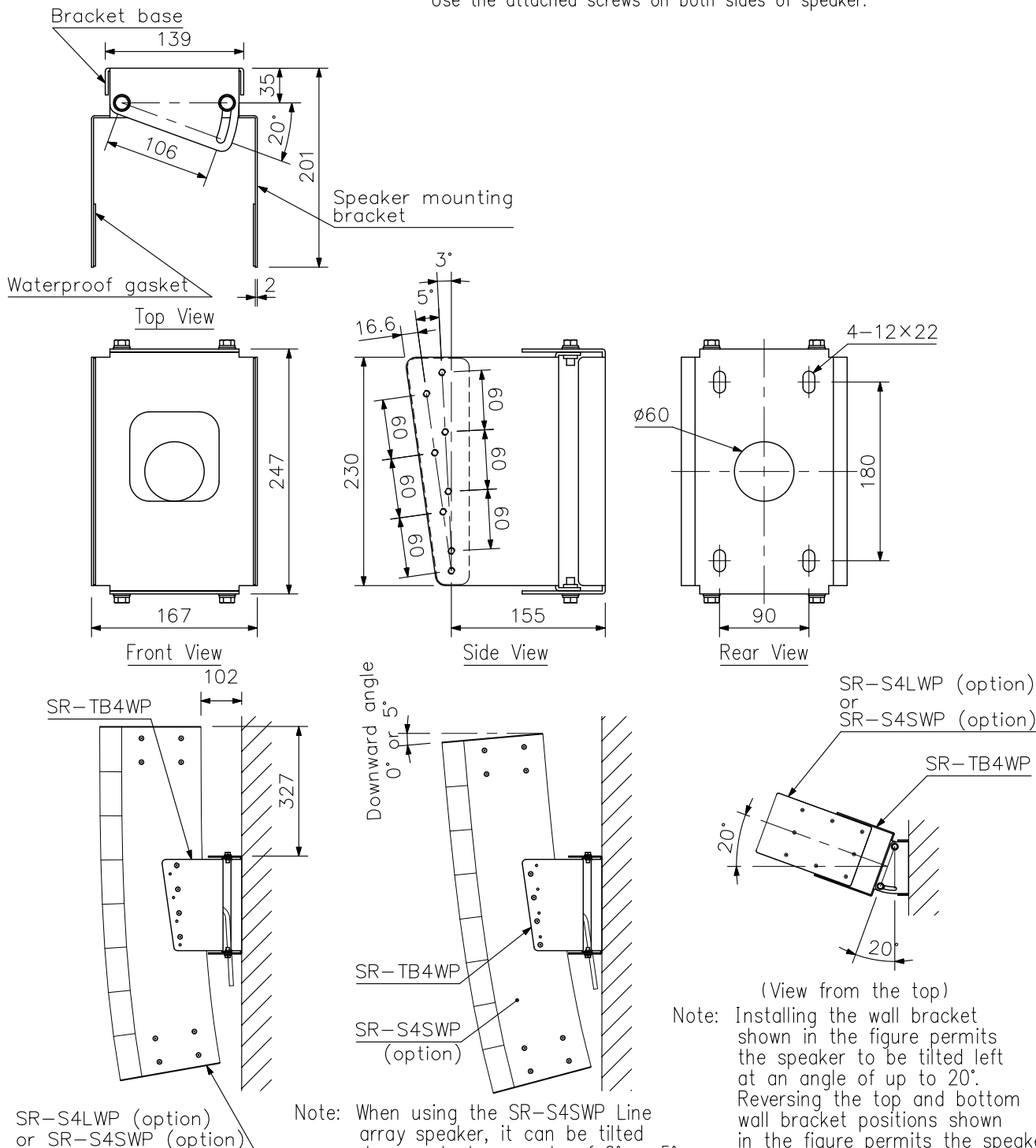
The SR-TB4WP is designed to be used to mount the Line Array Speaker system SR-S4LWP or SR-S4SWP on a wall. The downward angle can be set to either 0° or 5°, and the horizontal angle to up to 20°.

### SPECIFICATIONS

Number of Speakers to be Mounted	1
Finish	Stainless steel
Dimensions	167 (W) × 247 (H) × 201 (D) mm (complete assembly)
Weight	2.8 kg (including accessories)
Product Composition	Speaker mounting bracket ...1, Bracket base ...1
Accessory	Bracket assembling screw (M8 upset head) ...4

### APPEARANCE

Note: The speaker fixing screws are not supplied with the unit.  
Use the attached screws on both sides of speaker.



Note: When using the SR-S4SWP Line array speaker, it can be tilted downward at an angle of 0° or 5°.

Note: Installing the wall bracket shown in the figure permits the speaker to be tilted left at an angle of up to 20°. Reversing the top and bottom wall bracket positions shown in the figure permits the speaker to be tilted right at an angle of up to 20°.

UNIT:mm SCALE:1/6

Mounting example (scale: 1/15)