

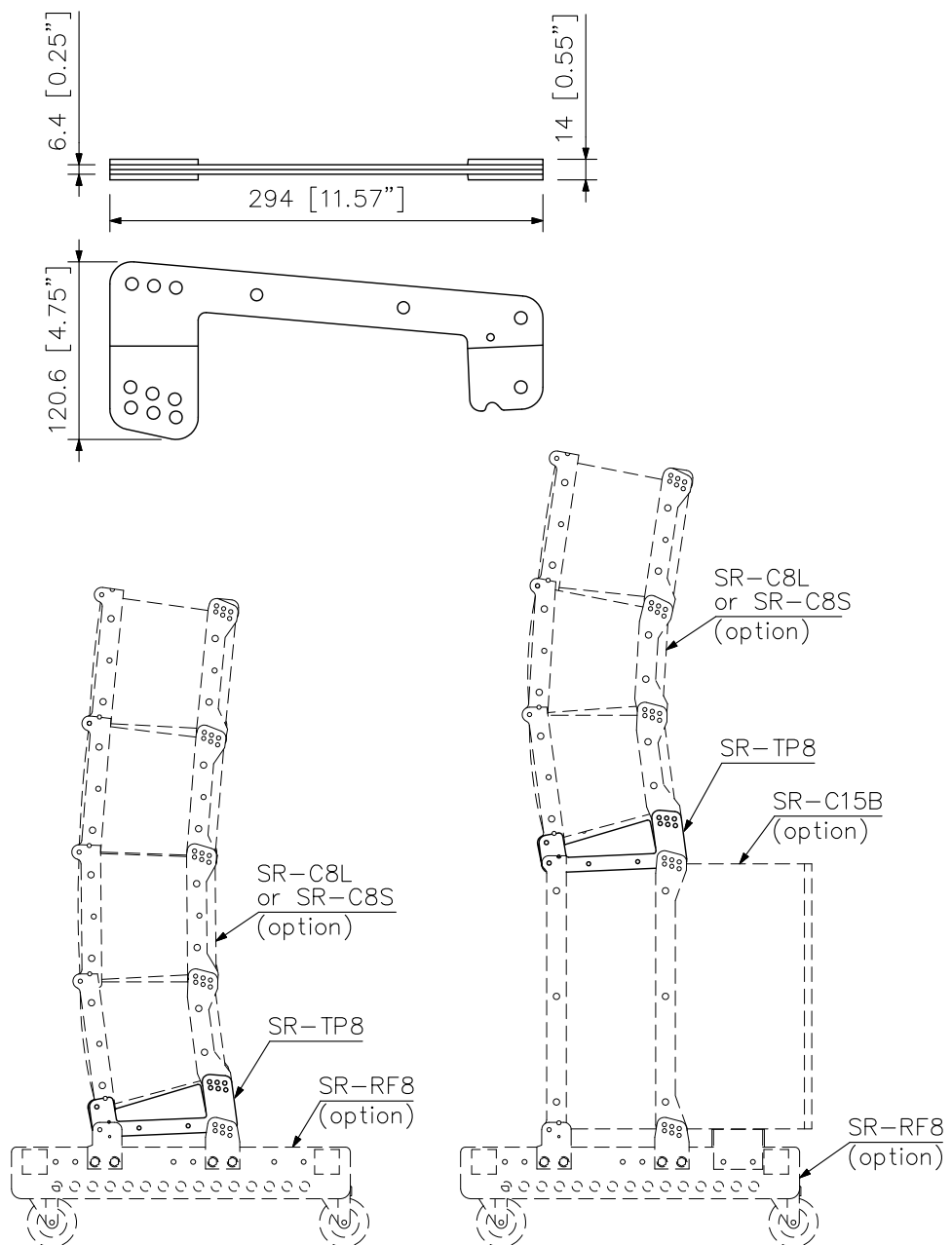
DESCRIPTION

The SR-TP8 Tilt Joint Bracket is designed to tilt the line array speaker in the lowermost position downward when stacked.
It comes in a set of 2 brackets.

SPECIFICATIONS

| | |
|------------------------------------|---------------------------|
| Applicable Speaker | SR-C8L, SR-C8S |
| Variable Angle Range to be Mounted | 5° - 15° |
| Finish | Steel plate, black, paint |
| Weight | 1.7 kg (3.75 lb) (1 pair) |

APPEARANCE



Note: Casters are required by use.

Example of stacked system (scale:1/15)

UNIT:mm SCALE:1/5