

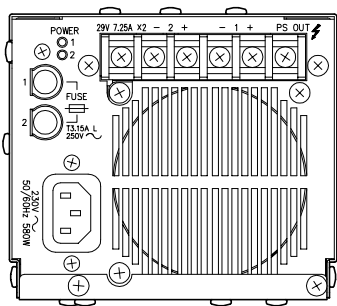
■ DESCRIPTION

The VX-200PS Power Supply Unit is mounted in the VX-2000PF Power Supply Frame when in use. There are 2 DC output channels per unit. Use the VX-200PS in the number suited to the required total system power.

■ SPECIFICATIONS

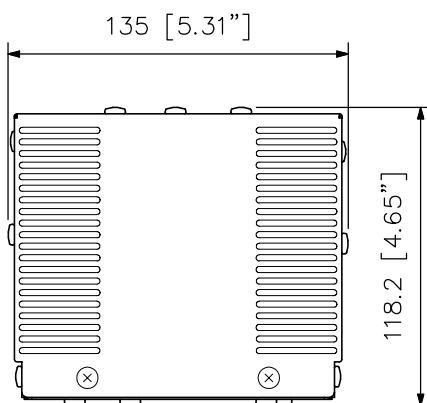
Power Source	230 V AC, 50/60 Hz
Power Consumption	580 W
DC Power Output	Rated output: 210 W (29 V, 7.25 A) × 2 Peak output: 400 W × 2 M4 screw terminal, distance between barriers: 11 mm (0.43") Applicable cable diameter: AWG 14 – AWG 10 (line resistance within 10 mΩ/pair) Cross sectional area: 2 – 5.5 mm <sup>2</sup>
Ripple Voltage at I <sub>max</sub> b (at VX-2000DS's DC Output)	Max. 4 V
Operating Temperature	0 °C to +40 °C (32 °F to 104 °F)
Applicable Frame	VX-2000PF
Finish	Surface-treated steel plate
Dimensions	135 (W) × 118.2 (H) × 324.8 (D) mm (5.31" × 4.65" × 12.79")
Weight	13.2 kg (29.1 lb)
Accessory	Fuse (T3.15A L) ×1, Power cord (2 m (6.56 ft)) ×1

■ APPEARANCE

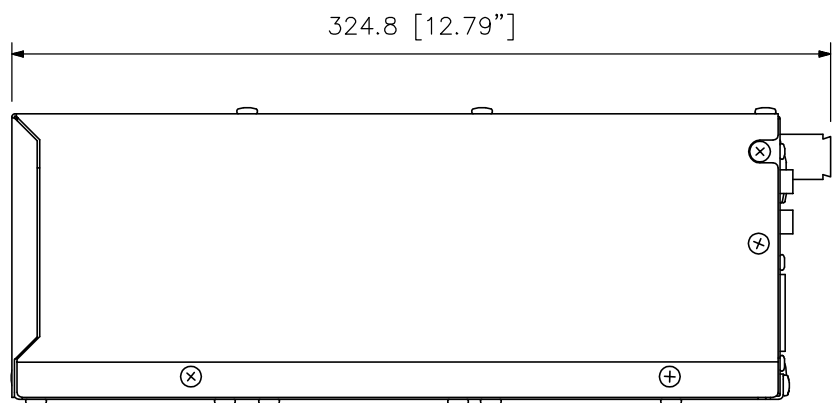


Rear View

Model	ER	UK
AC plug		



Front View



Side View

UNIT:mm SCALE:1/3