

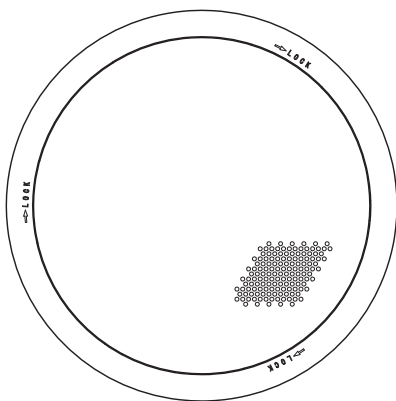
### DESCRIPTION

The Z-1522SC ceiling-mounted speaker covers an extremely wide area and can be used for 70V & 100V line applications. Well-balanced sound can be heard uniformly at any location.

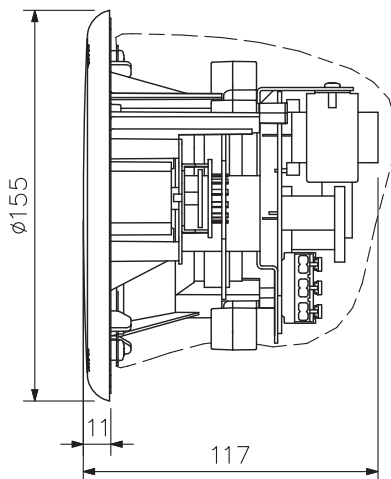
### SPECIFICATIONS

|                         |   |
|-------------------------|---|
| Rated Input             | 6 W (High Impedance)  |
| Power Handling Capacity | Continuous pink noise: 9 W (8 Ω)<br>Continuous program: 18 W (8 Ω)  |
| Impedance               | 100 V line: 1.7 kΩ (6 W), 3.3 kΩ (3 W)<br>70 V line: 830 Ω (6 W), 1.7 kΩ (3 W), 3.3 kΩ (1.5 W)<br>8 Ω   |
| Sensitivity             | 88 dB (1 W, 1 m)  |
| Frequency Response      | 65 Hz – 18 kHz (–10 dB), 45 Hz – 20 kHz (–20 dB)<br>at installation in 1/2 free sound field<br>(Measured by installing the unit in the center of a ceiling.)  |
| Speaker Component       | 10 cm cone-type   |
| Mounting Hole           | Ø135 mm (Maximum ceiling thickness: 37 mm)  |
| Input Terminal          | Push-in connector (Bridging terminal-2 branch type)   |
| Usable Cable            | 600 V Vinyl-insulated cable (IV wire or HIV wire)<br>Solid copper wire: Ø0.8 – Ø1.6 mm (equivalent to AWG No. 20 – 15)<br>7-core twisted copper wire: 0.75 – 1.25 mm <sup>2</sup> (equivalent to AWG No. 18 – 17)                               |
| Finish                  | Baffle: Fire-resistant ABS resin (resin material grade: UL-94 V-0), black<br>Rim: Fire-resistant ABS resin (resin material grade: UL-94 V-0), white, paint<br>Punched net: Steel plate, white, paint<br>Dust-proof bag: Artificial fiber, black |
| Dimensions              | Ø155 X 117 (D) mm   |
| Weight                  | 1 kg (including panel)  |
| Accessory               | Panel ×1, Paper pattern ×1  |

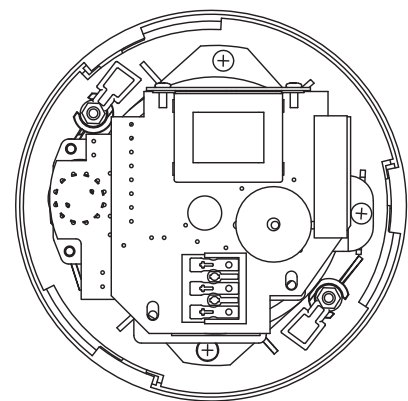
### APPEARANCE



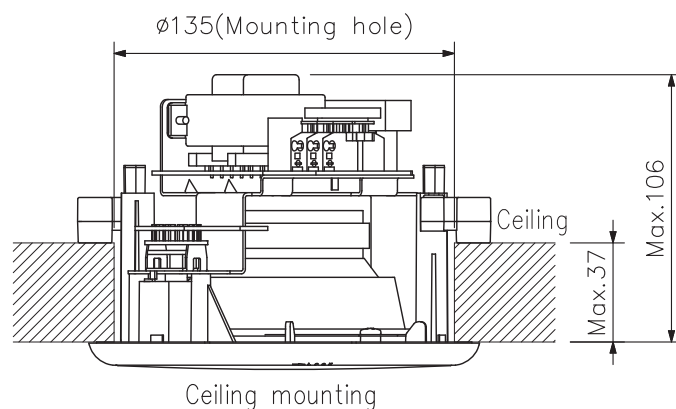
Front View



Side View



Rear View



Ceiling mounting

UNIT: mm SCALE: 1/3