

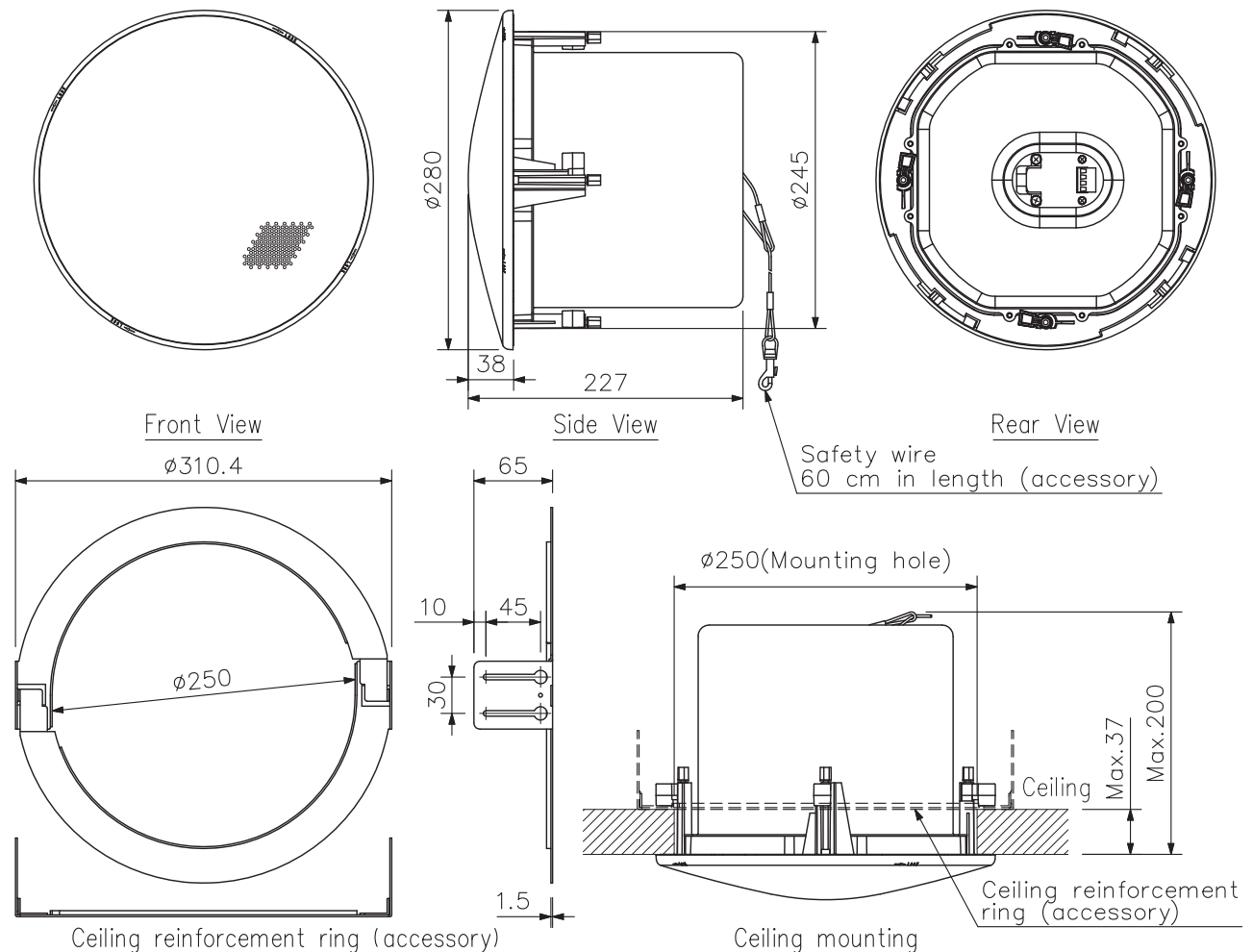
### DESCRIPTION

The Z-2852C ceiling-mounted speaker covers an extremely wide area and can be used for 70V & 100V line applications. Well-balanced sound can be heard uniformly at any location.

### SPECIFICATIONS

Enclosure	Bass reflex type
Rated Input	60 W (High Impedance)
Power Handling Capacity	Continuous pink noise: 90 W (8 Ω) Continuous program: 180 W (8 Ω)
Impedance	100 V line: 170 Ω (60 W), 330 Ω (30 W), 670 Ω (15 W), 3.3 kΩ (3 W) 70 V line: 83 Ω (60 W), 170 Ω (30 W), 330 Ω (15 W), 670 Ω (7.5 W), 3.3 kΩ (1.5 W) 8 Ω
Sensitivity	91 dB (1 W, 1 m)
Frequency Response	60 Hz – 20 kHz (–10 dB), 45 Hz – 20 kHz (–20 dB) at installation in 1/2 free sound field (Measured by installing the unit in the center of a ceiling.)
Speaker Component	High frequency: Dome-type, Low frequency: 16 cm cone-type
Mounting Hole	∅250 mm (Maximum ceiling thickness: 37 mm)
Input Terminal	Removable locking connector with screw-down terminals (2 input terminals and 2 bridge terminals)
Usable Cable	Solid copper wire: ∅0.5 – ∅1.6 mm (equivalent to AWG No. 24 – 14) Stranded copper wire: 0.2 – 2.5 mm <sup>2</sup> (equivalent to AWG No. 24 – 14)
Finish	Enclosure: Steel plate, plating Baffle: Fire-resistant ABS resin (resin material grade: UL-94 V-0), black Rim: Fire-resistant ABS resin (resin material grade: UL-94 V-0), white, paint Punched net: Steel plate, white, paint
Dimensions	∅280 × 227 (D) mm
Weight	5.1 kg (including mounting accessories)
Accessory	Panel .....1, Ceiling reinforcement ring .....1, Safety wire .....1, Paper pattern ...1

### APPEARANCE



UNIT: mm SCALE: 1/6