

DESCRIPTION

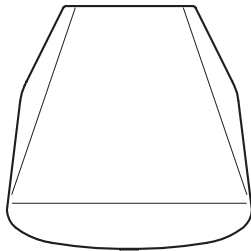
The ZS-F2000WM is speakers are compact two-way speaker systems designed for high efficiency, wide range, and high power input handling capability. These speaker systems can be installed and used many different applications with combined use of the supplied accesories or the optional mounting brackets.

SPECIFICATIONS

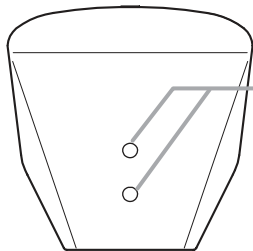
Rated Impedance	170 Ω (60W), 330 Ω (30W), 670 Ω (15W), 3.3 kΩ (3W)
Sound Pressure Level	92 dB (1W,1m) at installation in a semianechoic field 93 dB (1W,1m) at installation in a semianechoic field with Horn adapter
Frequency Response	65 - 20,000 Hz, -10 dB at installation in a semianechoic field
Directivity Angle	Horizontal: 110°, Vertical: 100° Horizontal: 80°, Vertical: 80° (with horn adapter)
Speakers	Woofer: 20 cm cone-type Tweeter: 25 mm dome-type
Input Terminals	Push-in terminals
Finish	Enclosure: HIPS, white Mesh Speaker Grill: Surface-treated steel plate, white, paint Speaker Bracket: Aluminium die-cast, white, paint Joint Bracket, Wall Bracket: Steel plate, t2.0, white, paint
Dimensions	244(w) x 373(h) x 235(d) mm
Weight	7.4 kg (including the supplied brackets)
Acessories	Speaker bracket ..1, Joint bracket ..1, Wall bracket ..1, Fixing bolt M6x85 ..1, Hexagon bolt M6x12 (with plain washer and spring washer) ..2, Machine screw M5x20 (with plain washer and spring washer) ..4, Tapping Screw 4X12 ..4, Horn adapter ..1
Optional Products	Ceiling mount bracket: ZY-CM20W Cluster Bracket: ZY-CL20B Speaker stand: ST-16A

APPEARANCE

[Top]



[Bottom]

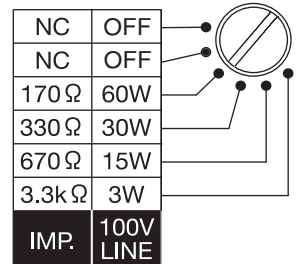


Mounting holes

Note:

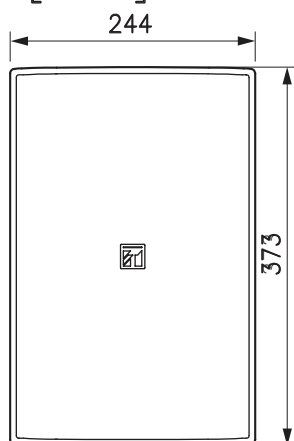
Hole seals are adhered over the holes at the factory. Before attaching the speaker mounting bracket to this side, remove them using a pointed tool.

[Impedance Selection]

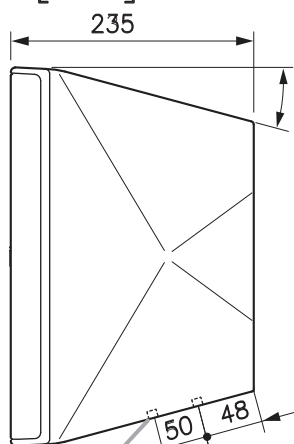


*Factory preset to 170Ω

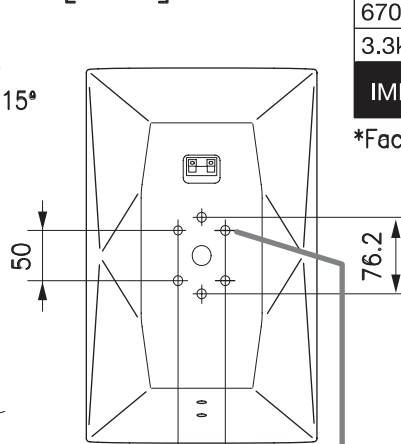
[Front]



[Side]



[Rear]



2-M5 mounting screw hole
(Effective screw depth: 14 mm)

6-M5 mounting screw hole
(Effective screw depth: 14 mm)

Unit : mm Scale : X/X