

DESCRIPTION

The ZR-2930W is a shoulder megaphone having facilities of EXT. mic input, an AUX input, a DC power input, a battery meter whistle sound.
It can be mounted to the optional ST-16A speaker stand.
The newly developed polyimide diaphragm is employed to ensure high sound quality.

SPECIFICATIONS

(*1) 0 dB = 1 V

Power Source	Battery: R20P (D) × 10 (15 V DC) External Power: 12 V DC Battery
Rated Output	30 W
Maximum Output	45 W
Signal Sound	Whistle (1.6 to 2.4 kHz)
Battery Life	Voice: Approx. 17 hours (JEITA (*2)), Whistle: Approx. 90 min. (JEITA (*2))
Audible Range	Voice: Approx. 800 m (JEITA (*2)), Whistle: Approx. 1000 m (JEITA (*2))
AUX Input Sensitivity	-10 dB (*1) (300 mV), 10 kΩ (ø3.5 mini jack, stereo plug acceptable), volume control
EXT. Mic Input	600 Ω, unbalanced, ø6.3 phone jack, volume control
Receiving Frequency	UHF (800 MHz Band), VHF (200 MHz Band)
Antenna	Fold-down flexible antenna
Diaphragm	Polyimide film (voice coil, bobbin)
Remaining Battery Indication	LED (also serves as a power indicator) Steady ON: Normal use, Flashing: Batteries need replacement
Operating Temperature	-10 °C to +40 °C
Finish	Horn ring: Vinyl chloride, gray Horn: Aluminum, light gray, paint Case top: Die-cast aluminum, gray, paint Strap: Nylon, black, Others: ABS resin, gray
Dimensions	ø351 × 512 mm
Weight	3.8 kg (without batteries), Microphone: 150 g
Accessory	ø3.5 mini plug (AUX input)···1, External power supply cord (1 m)···1, Splash-proof cover···1 (*3)
Option	Speaker stand: ST-16A, Microphone: ZM Series Wireless microphone: ZM-3210 series, ZM-3310 series Wireless tuner: ZTU-3800 series

(*2) JEITA: Japan electronics and information technology industries association. (EIAJ TT-4501A)

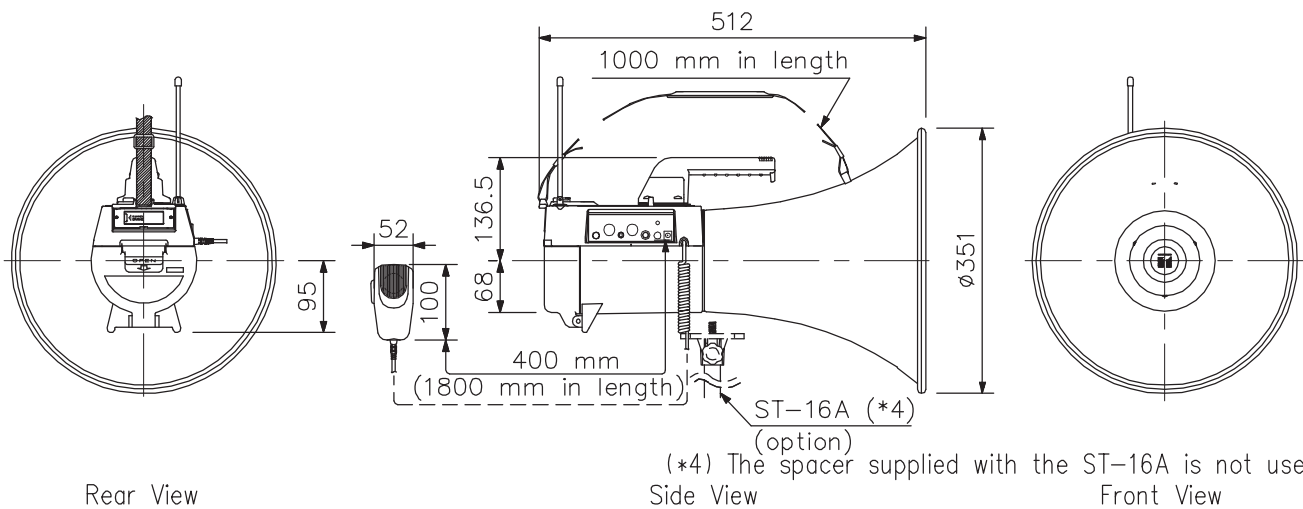
(*3) Do not use the unit in heavy rains or strong winds, or in locations where the unit is directly exposed to water even using with the supplied splash-proof cover.

Note: Batteries are optional.

APPEARANCE

<Note on the audible range and battery life>

1. The indications of the audible range and battery life are based on the JEITA Standard (*2).
2. Audible Range presumes that the megaphone employs new batteries and is used on a quiet street.
It varies depending on such conditions as battery consumption, ambient noise, wind direction and obstacles.
3. Battery Life assumes that megaphone is used for 30 minutes a day.



Rear View
UNIT:mm SCALE:1/10

(*4) The spacer supplied with the ST-16A is not used.
Side View

Front View