

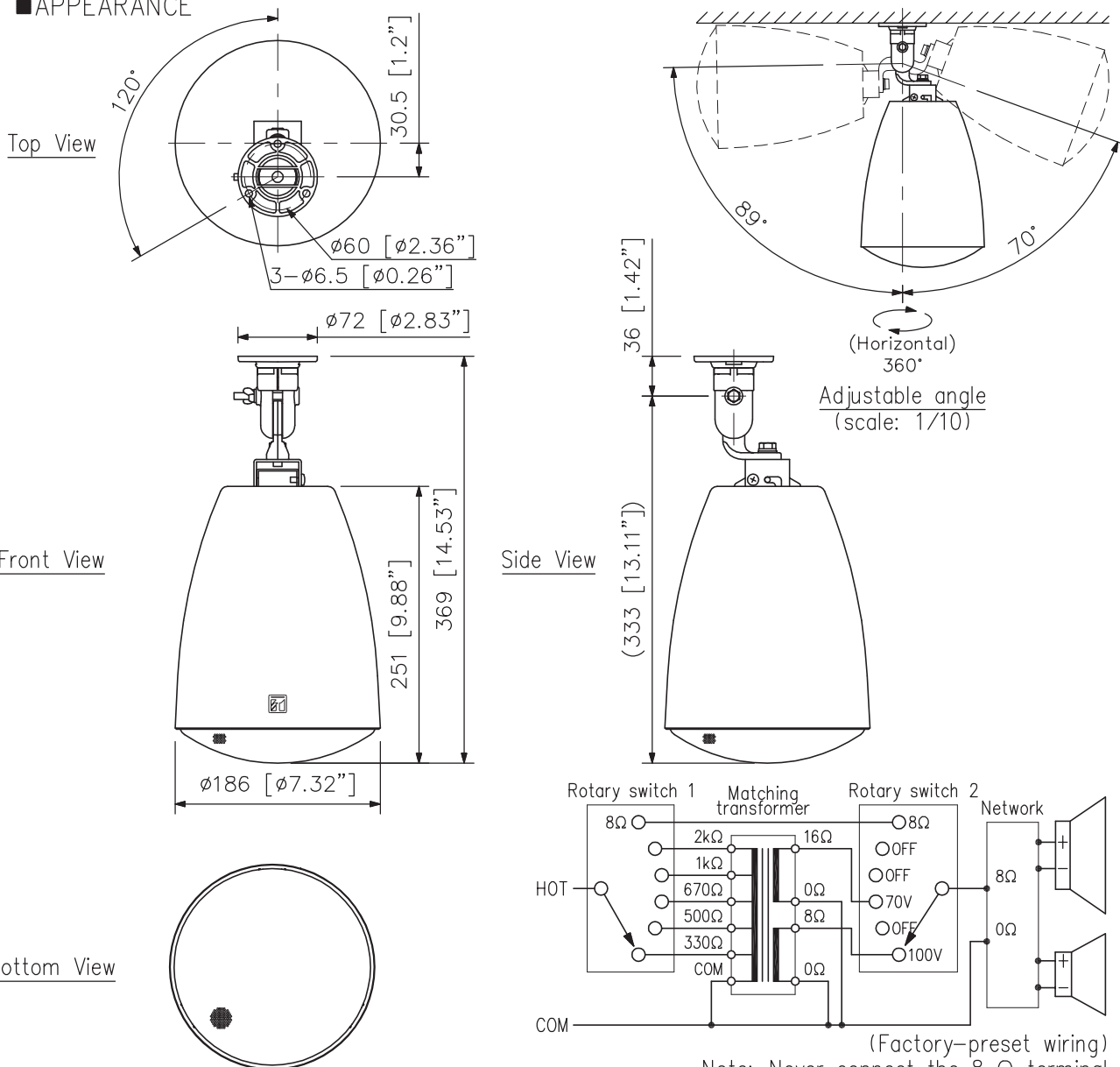
DESCRIPTION

The **ZS-PJ304** is a projection speaker designed for ceiling and wall installations. Considered in architectural design, it can blend in with lighting equipment. The supplied swivel bracket allows for flexible speaker angle adjustment. The **ZS-PJ304** is driven on both high-impedance (100 V and 70 V) and low-impedance (8 Ω) lines. The input power (impedance) can be easily changed at the upper side of the speaker. The speaker is easy to repaint so as to meet a wide range of design needs.

SPECIFICATIONS

Enclosure	Bass-reflex type
Rated Input	30 W (100 V, 70 V line, 8 Ω)
Rated Impedance	100 V line: 330 Ω (30 W), 500 Ω (20 W), 670 Ω (15 W), 1 kΩ (10 W), 2 kΩ (5 W) 70 V line: 170 Ω (30 W), 250 Ω (20 W), 330 Ω (15 W), 500 Ω (10 W), 1 kΩ (5 W) 8 Ω
Sensitivity	91 dB (1 W, 1 m) (500 - 5,000 Hz, pink noise)
Frequency Response	70 - 20,000 Hz (peak -20 dB)
Speaker Component	12 cm (5") cone-type + balanced dome-tweeter
Speaker Cord	2-core cabtyre cord 60 cm (1.97 ft) with diameter of 6 mm (0.24")
Finish	Enclosure: HIPS resin, off-white (RAL 9010 or equivalent color) Grille: Surface-treated steel plate net, off-white (RAL 9010 or equivalent color), paint
Dimensions	ø186 X 369 (H) mm (ø7.32" X 14.53")
Weight	2.1 kg (4.63 lb) (unit only)
Accessory	Swivel bracket *1, Speaker mounting screw (4 X 16) *3

APPEARANCE



(Factory-preset wiring)
 Note: Never connect the 8 Ω terminal to the 100 V or 70 V line.
 Wiring Diagram

UNIT:mm SCALE:1/6