

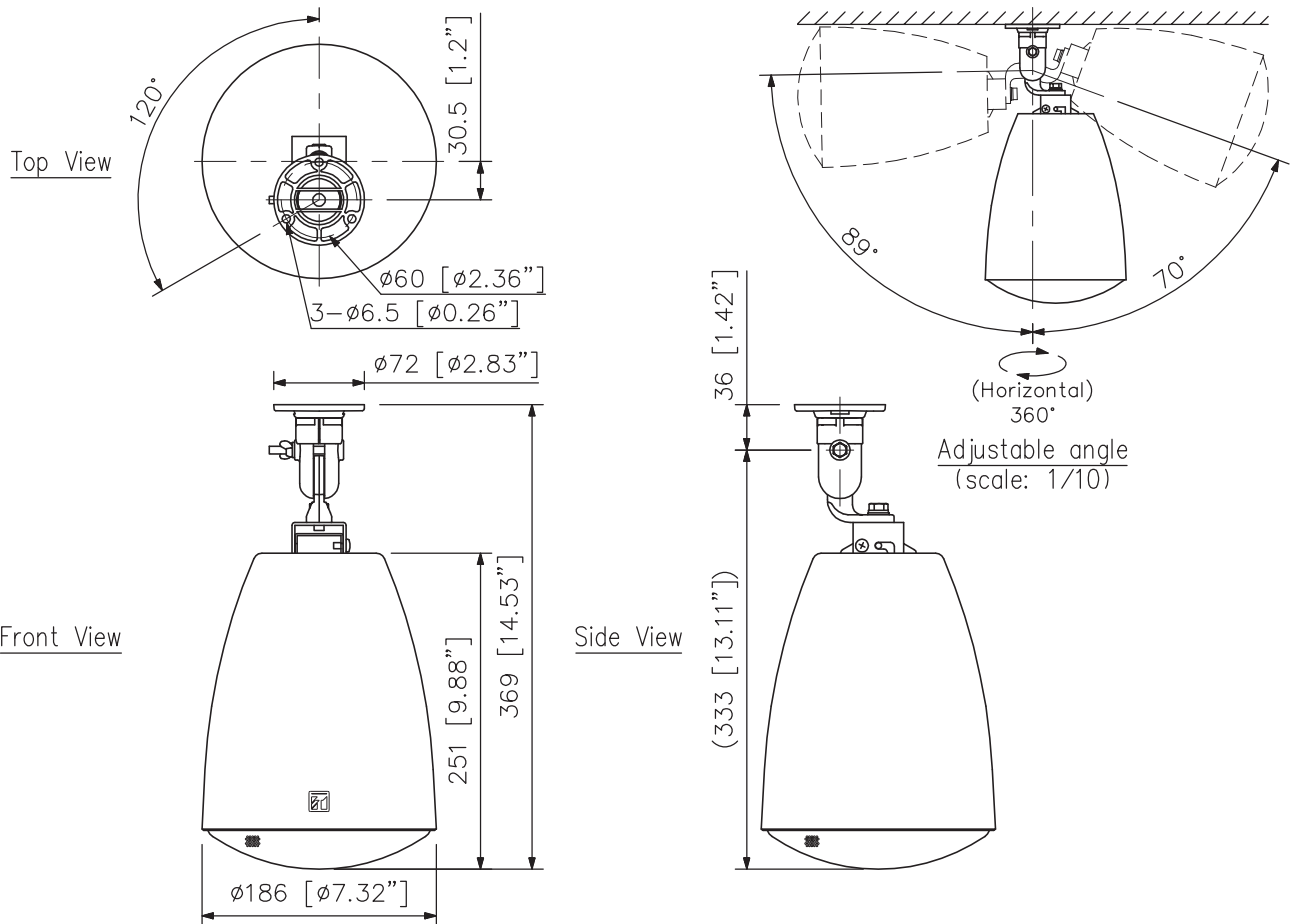
### DESCRIPTION

The **ZS-PJ64** is a projection speaker designed for ceiling and wall installations. Considered in architectural design, it can blend in with lighting equipment. The supplied swivel bracket allows for flexible speaker angle adjustment. The **ZS-PJ64** is driven on high-impedance (100 V and 70 V) line. The input power (impedance) can be easily changed at the upper side of the speaker. The speaker is easy to repaint so as to meet a wide range of design needs.

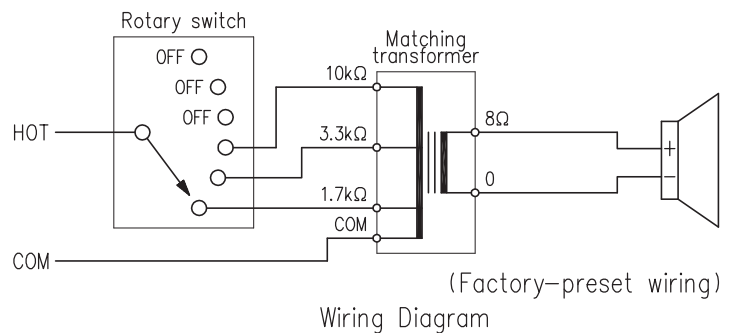
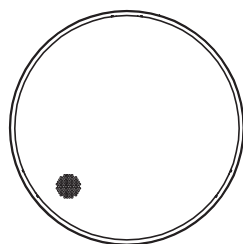
### SPECIFICATIONS

Enclosure	Bass-reflex type
Rated Input	6 W (100 V line), 3 W (70 V line)
Rated Impedance	100 V line: 1.7 kΩ (6 W), 3.3 kΩ (3 W), 10 kΩ (1 W) 70 V line: 1.7 kΩ (3 W), 3.3 kΩ (1.5 W), 10 kΩ (0.5 W)
Sensitivity	90 dB (1 W, 1 m) (500 – 5,000 Hz, pink noise)
Frequency Response	100 – 18,000 Hz (peak –20 dB)
Speaker Component	12 cm (5") cone-type
Speaker Cord	2-core cabtyre cord 60 cm (1.97 ft) with diameter of 6 mm (0.24")
Finish	Enclosure: HIPS resin, off-white (RAL 9010 or equivalent color) Grille: Surface-treated steel plate net, off-white (RAL 9010 or equivalent color), paint
Dimensions	φ186 × 369 (H) mm (φ7.32" × 14.33")
Weight	1.5 kg (3.31 lb) (unit only)
Accessory	Swivel bracket ×1, Speaker mounting screw (4 × 16) ×3

### APPEARANCE



Bottom View



UNIT:mm SCALE:1/6