

DESCRIPTION

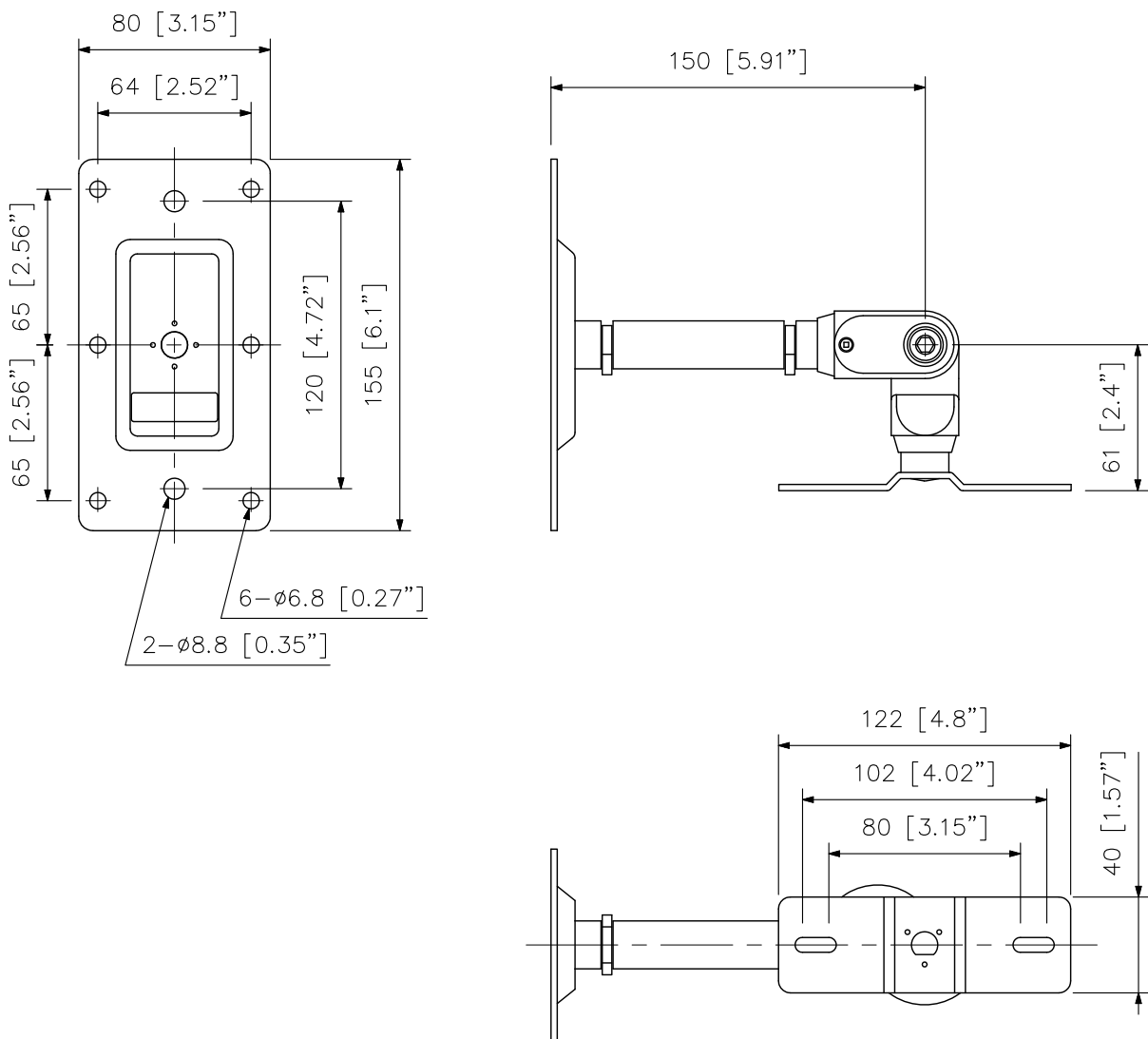
The WCB-31 is a holder to mount a ME-120 (\*1) or ME-160 (\*1) speakers to the ceiling or wall.  
 (\*1) Discontinued models

SPECIFICATIONS

|              |  |
|--------------|--|
| Maximum Load | 8 kg (17.64 lb) Under  |
| Finish       | Black, semi-matted painting  |
| Accessory    | Speaker mounting screw...2<br>Hexagonal renti (big)...1<br>Hexagonal renti (small)...1 |

\*Screws for attaching the holder to the ceiling or wall are not supplied.

APPEARANCE



UNIT: mm SCALE: 1/3