

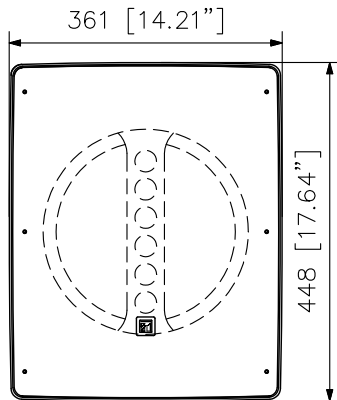
DESCRIPTION

The ZS-HS120W is a 2-way speaker system made of resin, and features a large diameter woofer. It can be installed and used in many different applications with combined use of the supplied accessories and/or the optional mounting brackets.

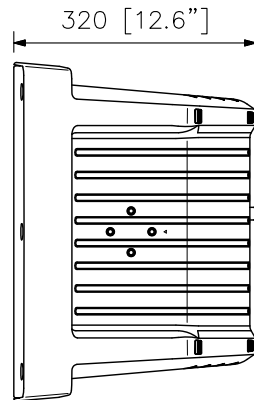
SPECIFICATIONS

Enclosure	Sealed type
Power Handling Capacity	Continuous pink noise: 100 W Continuous program: 300 W
Rated Impedance	8 Ω
Sensitivity	97 dB (1 W, 1 m)
Frequency Response	80 Hz - 20 kHz
Crossover Frequency	3 kHz
Directivity Angle	Horizontal: 90°, Vertical: 40°
Speaker Component	Low frequency: 30 cm (12") cone-type High frequency: Balanced dome tweeter X 6
Input Terminal	NEUTRIK NL4MP Speakon and M4 screw terminal, distance between barriers: 9 mm (0.35")
Operating Temperature	-10 °C to +50 °C (14 °F to 122 °F)
Finish	Enclosure: Polypropylene, white Punched net: Surface-treated steel plate, white
Dimensions	361 (W) x 448 (H) x 320 (D) mm (14.21" x 17.64" x 12.6")
Weight	8.5 kg (18.74 lb)
Accessory	Handle ...1, Handle fitting bracket ...2, Handle mounting screw ...2, Rubber foot ...2, Rubber foot mounting screw ...2
Option	Mounting bracket: ZY-1200VW (for vertical speaker mounting) ZY-1200HW (for horizontal speaker mounting)

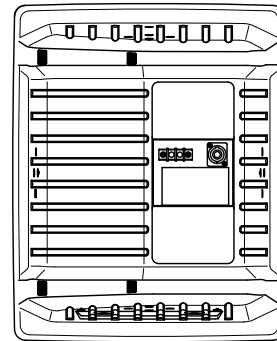
APPEARANCE



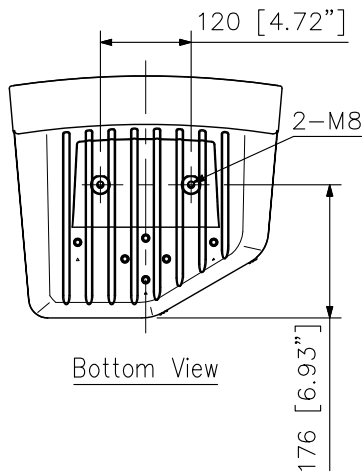
Front View



Side View



Rear View



Bottom View

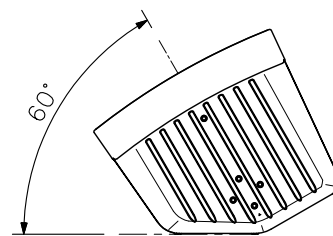
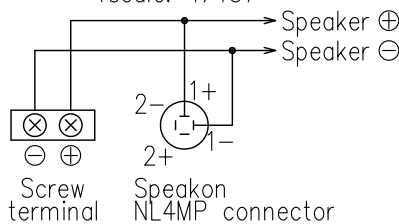


Figure of the unit installed (scale: 1/15)



Wiring Diagram

UNIT:mm SCALE:1/10