

DESCRIPTION

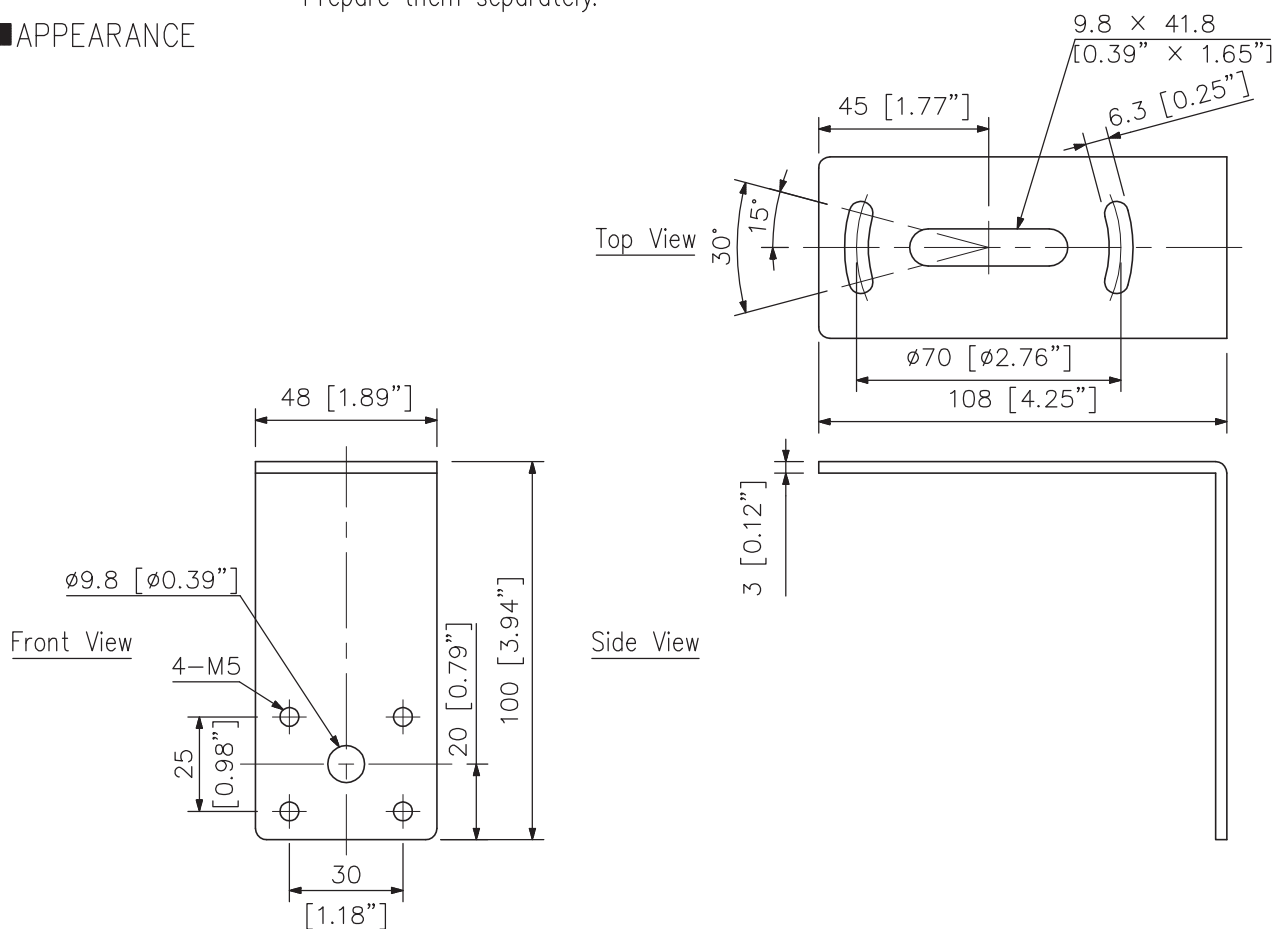
The ZY-CM10W Ceiling Mounting Bracket is used to mount ZS-F1000 Series or ZS-F1300 Series speakers to a ceiling in a horizontal configuration.

SPECIFICATIONS

Finish	Steel plate, white, paint
Dimensions	48 (W) × 100 (H) × 108 (D) mm (1.89" × 3.94" × 4.25")
Weight	210 g (0.46 lb)
Accessory	Speaker mounting bracket (with washer) ×4

Note: Bolts and nuts for mounting the bracket to the ceiling are not included. Prepare them separately.

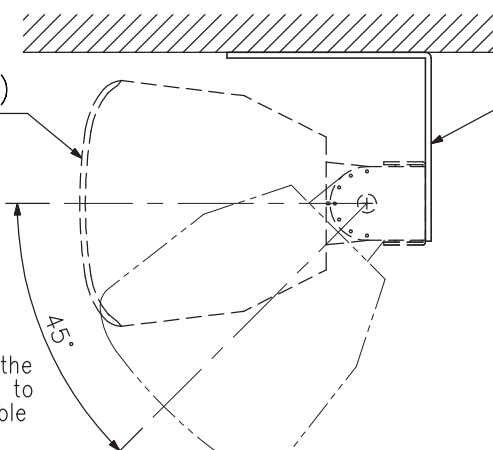
APPEARANCE



ZS-F1000W (option)
or ZS-F1300W (option)

ZY-CM10W

*Adjust the speaker angle within the downward range of 0° (horizontal) to 45°. The speaker angle is adjustable in 7.5° steps.



Mounting example
(scale: 1/4)

UNIT:mm SCALE:1/2