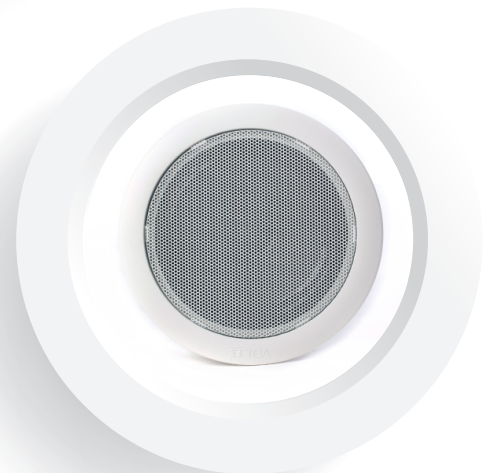




ZS-648R & ZS-658R

Ceiling Mount Speakers



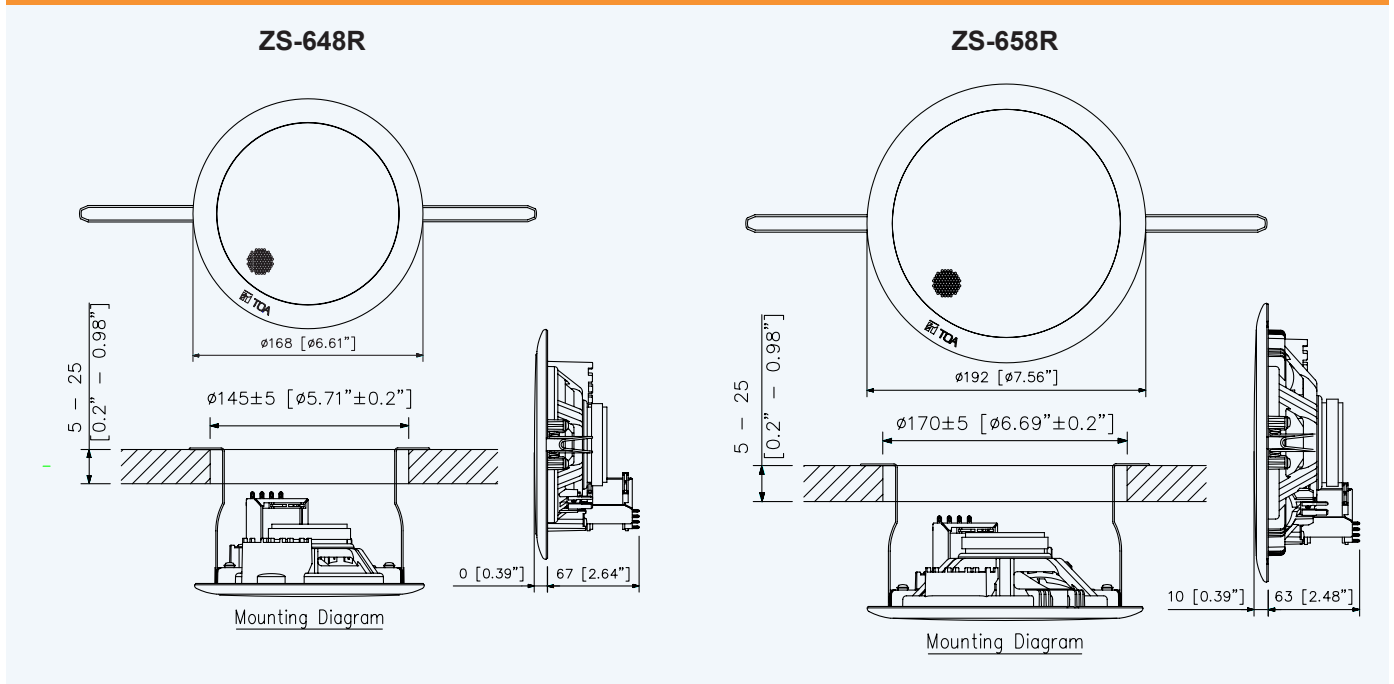
ZS-648R & ZS-658R Ceiling Speakers

Integrated with a resin panel and speaker frame, the ZS-648R and ZS-658R are ceiling mount speakers with a metal grille attached. They feature spring clamp mechanism for easy speaker mounting to the ceiling. The input impedance can be easily changed by changing the tap position of the transformer.

Features:

- Spring clamp mechanism for easy speaker mounting to the ceiling
- ZS-648R: 12cm (5") cone type
- ZS-658R: 16cm (6") cone type
- New Color Code: RAL 9016
- Optional flame retardant (HIPS UL-94VO) backcan

Installation Example



Specifications

Model	ZS-648R	ZS-658R
Rated Input	6W (100V line), 3W (70V line)	
Rated Impedance	100V line: 1.7 kΩ (6W), 3.3kΩ (3W), 10kΩ (1W) 70V line: 1.7 kΩ (3W), 3.3kΩ (1.5W), 10kΩ (0.5W)	
Sensitivity	90dB (1W, 1m)	
Frequency Response	100 - 18,000Hz	65-18,000Hz
Speaker Component	12cm (5") cone-type	16cm (6") cone-type
Dimensions for Fixing Hole	Mounting hole: $\phi 145 \pm 5\text{mm}$ ($\phi 5.71" \pm 0.2"$) Ceiling thickness: 5 - 25mm (0.2" - 0.98")	Mounting hole: $\phi 170 \pm 5\text{mm}$ ($\phi 6.69" \pm 0.2"$) Ceiling thickness: 5 - 25mm (0.2" - 0.98")
Speaker Mounting Method	Spring Clamp	
Finish	Baffle: Polypropylene resin, white (RAL 9010 equivalent) Grille: Surface-treated steel plate net, white (RAL 9010 equivalent), paint	
Dimensions	$\phi 168 \times 77$ (D) mm ($\phi 6.61" \times 3.03"$)	$\phi 192 \times 73$ (D) mm ($\phi 7.56" \times 2.87"$)
Weight	470g (1.04lb)	500g (1.1lb)
Accessory	Paper pattern ... 1	

