

DESCRIPTION

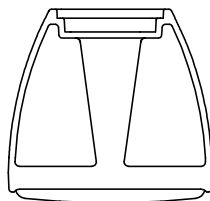
The speaker is column speaker system small type designed for high efficiency, wide range especially high frequency result and high power input handling capability. Combined used of the supplied bracket the speaker to be mounted in many different application.

SPECIFICATIONS

Enclosure	Sealed type
Rated Input	20 W
Rated Impedance	100V line: 500 Ω (20W), 1 kΩ (10W), 2 kΩ (5W), 4 kΩ (2.5W)
	70V line : 500 Ω (10W), 1 kΩ (5W), 2 kΩ (2.5W), 4 kΩ (1.3W)
Sensitivity	89 dB (1W, 1m)
Frequency Response	150 - 13,000Hz
Speaker Component	10cm(4") Cone-type x 2, Waterproof
Input Terminal	Push-in terminal
Finish	Enclosure: HIPS, white
	Punched Net: Surface-tread steel plate, white, anti-rust paint
	Speaker bracket: Aluminum die-cast, black, paint
	Joint bracket, wall bracket: Steel plate, t1.6, black, paint
Dimensions	135 (W) X 250 (H) X 128 (D) mm (5.31"X 9.84" X 5.04")
Weight	1.9 kg (4.18 lb) unit only
Accessory	Speaker bracket ... 1, Joint bracket ... 1, Wall bracket ... 1, Fixing bolt M5 x 60 ... 1, Hexagon bolt M6 x 12 (with plain washer and spring washer) ... 2, Machine screw M5 x 20 (with plain washer and spring washer) ... 2, Hexagon bolt M8 x 15 ... 1, Terminal cover ... 1, Tapping screw ... 4.
Optional	Speaker stand: ST-16A

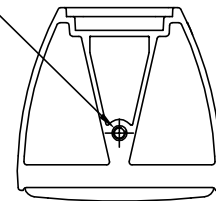
Note: Bolt and nuts for mounting the bracket to the wall are not included.

APPEARANCE

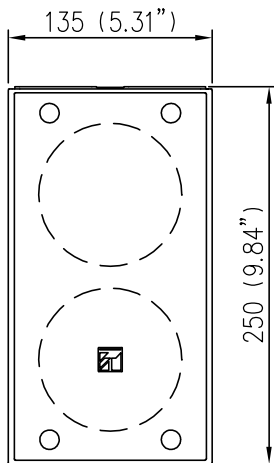


Top View

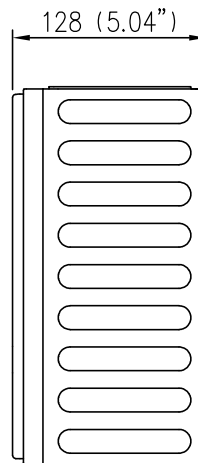
M8 (depth 13(0.51")  
(for stand mounting)



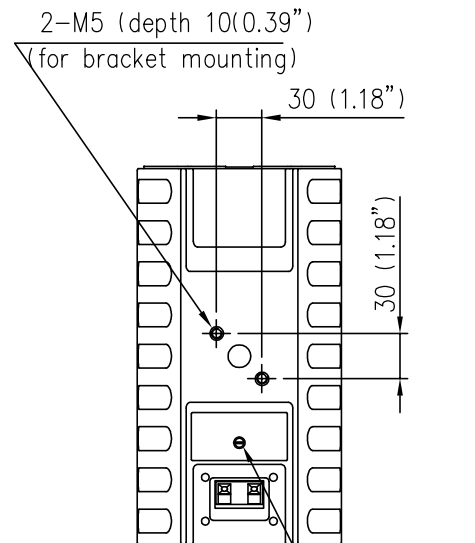
Bottom View



Front View



Side View



Rear View

Rotary Switch

UNIT:mm SCALE:1/5