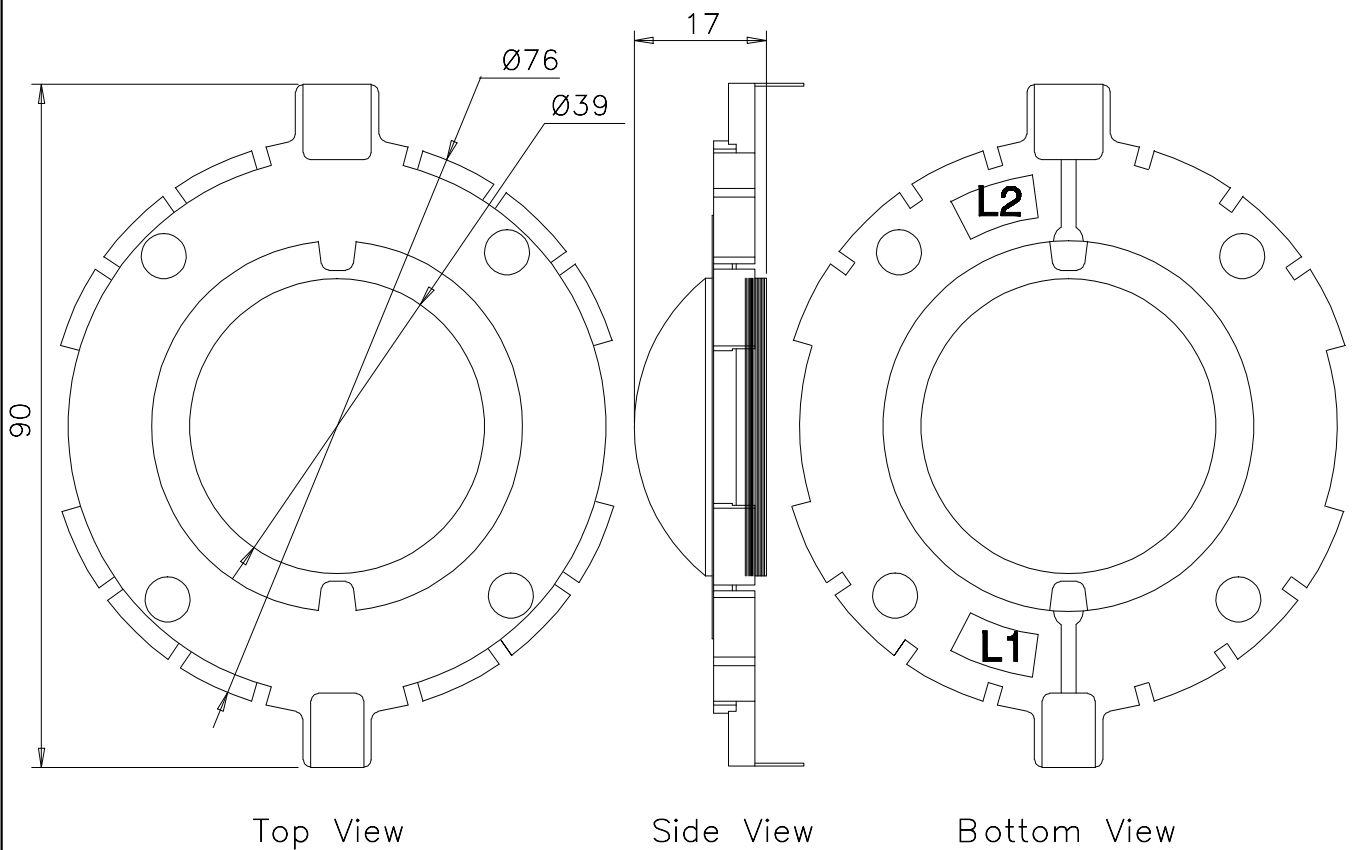


**DESCRIPTION**

TOA's ZG-10C-A is speaker diaphragm that mainly part of horn speaker/megaphones. A designated by polymade material, that can produce good quality sound and strong to power handling.

**SPECIFICATION**

Applicable model	ZR-2230W, ZR-2390W, ZH-625S, ZH-625SM
Rated Input	30W (When operated with ZR-2230W)
Rated Impedance	8Ω
Sound Pressure Level	107dB (1W, 1m)
Frequency Response	300 ~ 6,500 Hz (When operated with ZR-2230W)
Dimensions	Ø76mm x Ø39(D)mm
Weight	11 g (0.024 lb)

**APPEARANCE**


UNIT:mm SCALE:1/1