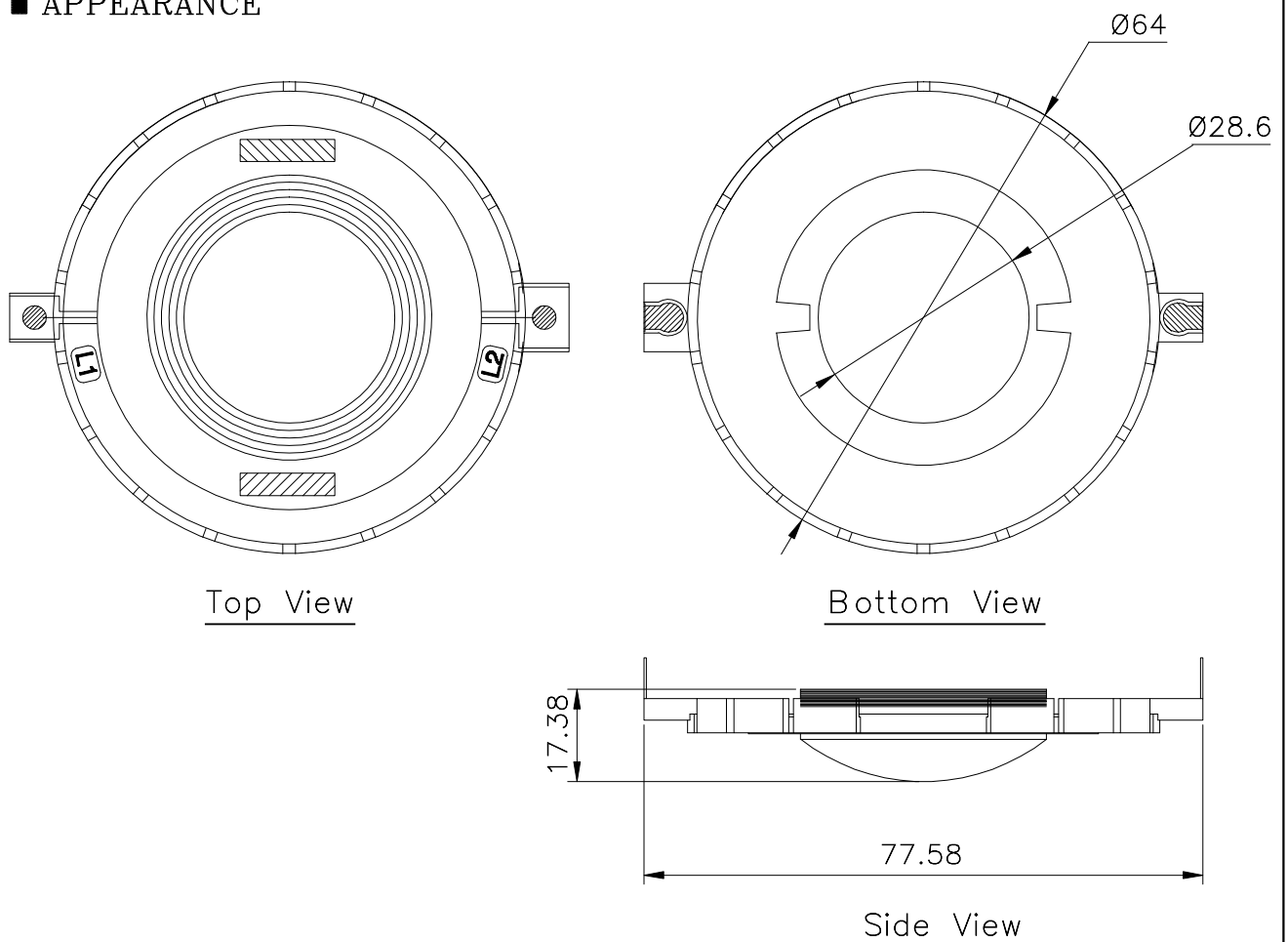


**DESCRIPTION**

TOA's ZG-60B-A is speaker diaphragm that mainly part of horn speaker/megaphones. A designated by polymade material, that can produce good quality sound and strong to power handling.

**SPECIFICATION**

Applicable model	ZH-610S/SM, ZH-615S/SM, ZH-615R/RM, ZR-1015/S, ZR-2015/S/SP/W, ZR-510/S, ZR-604W, ZR-1215, ZR-3215/S, ZR-2215/W
Rated Input	15W (When operated with ZH-615S)
Rated Impedance	8Ω
Sound Pressure Level	109dB (1W, 1m)
Frequency Response	333 ~ 10,511 Hz (When operated with ZH-615S)
Dimensions	Ø64mm x Ø28.6(D)mm
Weight	8.81 g (0.019 lb)

**APPEARANCE**


UNIT:mm SCALE:1/1