

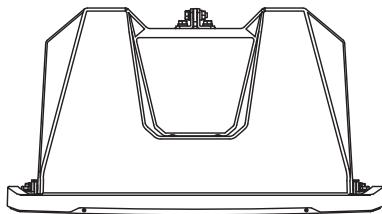
■ DESCRIPTION

The Z-7B-HX-2M is a 2-way compact speaker system that permits both constant directivity control over a wide frequency range and changes in vertical directivity. Its adopted wave front control technology is ideal for reproducing clear sound in spaces with long reverberation times or high background noise. The Z-7B-HX-2M is designed for indoor use.

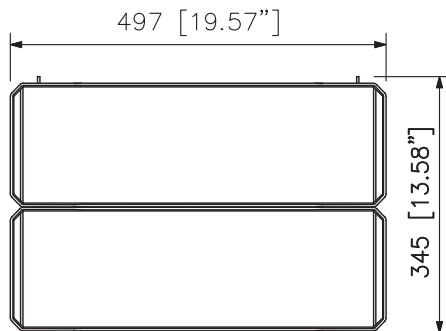
■ SPECIFICATIONS

Enclosure	Bass-reflex type
Power Handling Capacity	Continuous pink noise: 125 W Continuous program: 375 W
Rated Impedance	16Ω
Sensitivity	93dB (1 W, 2 m)
Frequency Response	75 Hz - 20 kHz
Crossover Frequency	1.7 kHz
Directivity Angle	Vertical: Depending on directivity angle mode
Speaker Component	Low frequency: 13 cm (5.5") cone-type × 4 High frequency: Wave front control horn with compression driver × 2
Input Terminal	Speakon NL4MP × 2
Finish	Enclosure: Polypropylene, black Punched net: Surface-treated steel plate, black, paint
Dimensions	497 (W) × 345 (H) × 274 (D) mm (19.57" × 13.58" × 10.79")
Weight	16 kg (35.27 lb)
Accessory	Hexagon Bolt (+) M6x12 3-Sems ...2, Flange Nut M6 ...1 Hexagon Bolt (+) M6x16 3-Sems ...8 Hexagon Bolt (+) M6x25 3-Sems ...1 Axis Small Ring ...2 Axis Rubber Ring ...2 HX-7B Axis Ring ...1 HX-7B Overlap Bar ...1

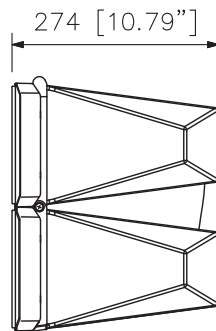
■ APPEARANCE (Factory-preset: 0° mode)



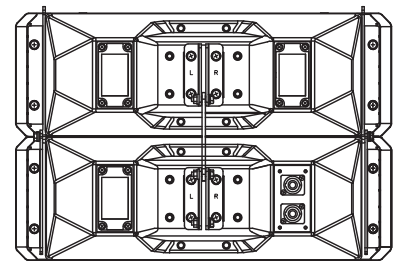
Top View



Front View



Side View



Rear View

UNIT: mm SCALE: 1/10