

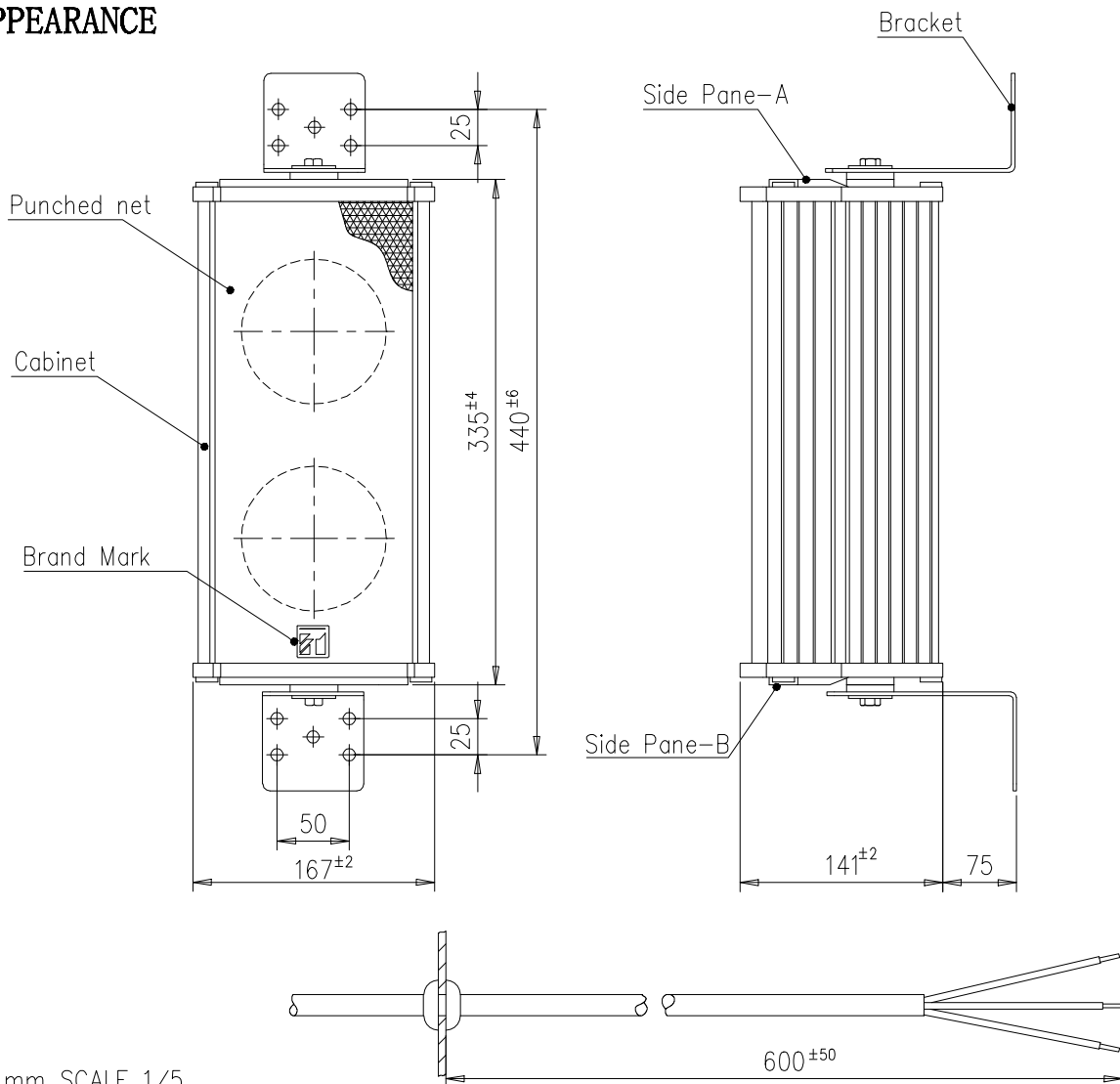
● DESCRIPTION

The ZS-102C is column speaker system small type designed for high efficiency, wide range especially high frequency result and high power input handling capacity. To avoid the unit's, do not sound a signal tone from this speaker for long periode of time.

● SPECIFICATION

Rated Input	10 W
Line Voltage	100 V
Rated Impedance	1kΩ(10W, black), 2kΩ(5W, blue), Com (white)
Sound Pressure Level	90dB (1W, 1m at 500 to 2500Hz peak level)
Frequency Response	150 - 10,000Hz
Speaker Unit	12cm, Dynamic Speaker...2pcs
Dimensions	167(W) X 335(H) X 141(D)mm (6.57" X 13.18" X 5.55")
Weight	3.0 kg (6.6 lb) Unit only
Finish	Cabinet : Aliminium Extrud, Silver grey, baked enamel
	Punched Net : Aluminium, Black, semiglos enamel

● APPEARANCE



UNIT: mm SCALE 1/5