

■DESCRIPTION

TOA Z-FV2148W-AS is a compact and lightweight Voice Evacuation wall mount system. It is designed for both general and emergency purpose broadcast. The wall mount system is comprised of the 4 pre-recorded Voice Evacuation messages, 480 W digital power amplifier modules, speaker zone selector, and can connect up to 4 remote microphones. The Z-FV2148W-AS is able to link with fire alarm panel. Emergency messages is automatic broadcast when fire alarm is activated.

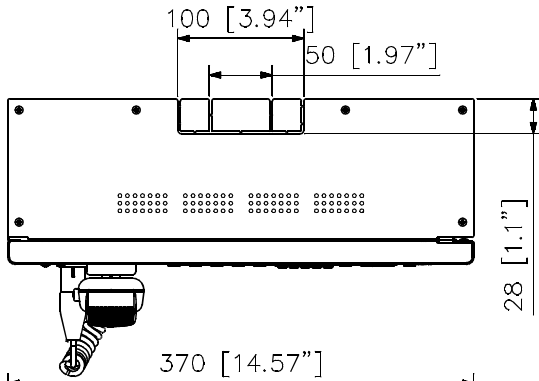
■SPECIFICATIONS

* 0 dB = 1 V

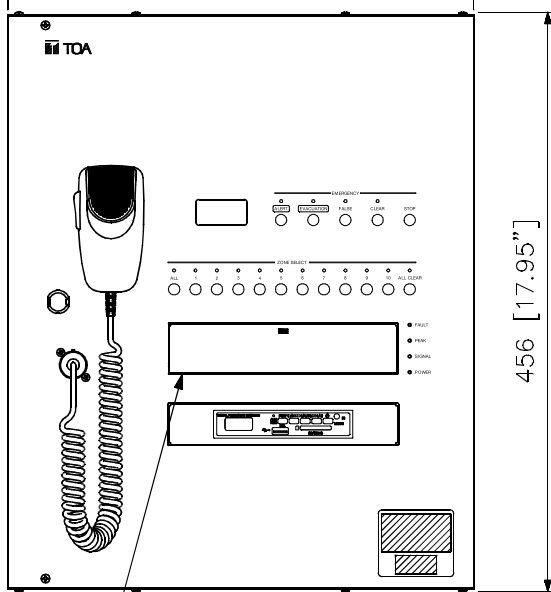
Power Source	100 - 240 V AC ~ 50/60 Hz, M4 screw terminal
Power Consumption	99 W (EN 62368-1) 530 W (Rated Output)
Rated Output	480 W
Input	Front Microphone : -60 dB*, 2.2 KΩ, unbalanced, XLR connector Input 1 : -60 dB*/-20dB* (selectable), 2.2 KΩ, balanced, screw terminal Phone jack priority (if connect to phone jack, voice change automatically) Input 2 : -20 dB*, 10 KΩ, balanced, screw terminal MP3 :LED Display, Support USB, SD/MMC Card (up to 32 GB), Bluetooth, Radio FM
Remote Microphone	Usable Remote microphone: RM-200M Max 4 unit, RJ45 Maximum Cable Distance: Total 800m
Output	Speaker output: Screw terminal Speaker Selector : 10 Zones, high impedance (100V line) individual selector, group
S/N Ratio	Over 60 dB
Total Harmonic Distortion	Under 1% at 1 kHz, 1/3 rated power
Frequency Response	50 Hz - 20000 Hz
Tone Control	Bass: ± 10 dB at 100 Hz Treble: ± 10 dB at 10 kHz
Emergency Announcement	Alert, Evacuation, False, Clear (repeated continuously / one time, seletable)
Built-in Chime	2 chimes
Control Input	FA IN : No-voltage make contact input, open voltage: 24 V DC, short-circuit current: under 5mA, screw terminal CTRL IN 1 - 6 : No-voltage make contact input, open voltage: 24 V DC, short-circuit current: under 5mA, screw terminal.(assignable)
Control Output	FA OUT : Relay contact output, rated voltage: 24 V DC, screw terminal CTRL OUT 1 - 2 : Relay contact output, rated voltage: 24 V DC, screw terminal.(assignable)
Indicator	Power, Signal, Peak, Fault Each of Zone, All Zone Alert, Evacuation, False, Clear
Operating Temperature	0 °C to +40 °C
Operating Humidity	Under 90 % RH (no condensation)
Ventilation	Fan Cooling
Finish	Steel Plate, Black, Paint
Dimensions	370 (W) x 456 (H) x 132 (D) mm (14.57" x 17.95" x 5.20")
Weight	9.2 kg
Accessories	Front Microphone ... 1, Paper pattern ... 1

■ APPEARANCE

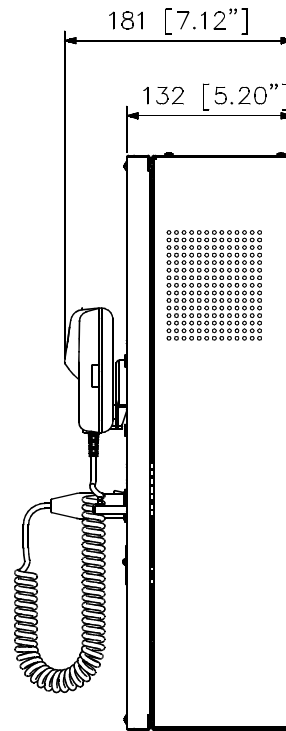
Top View



Front View

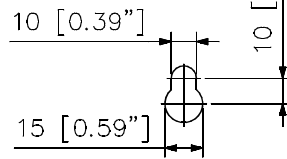
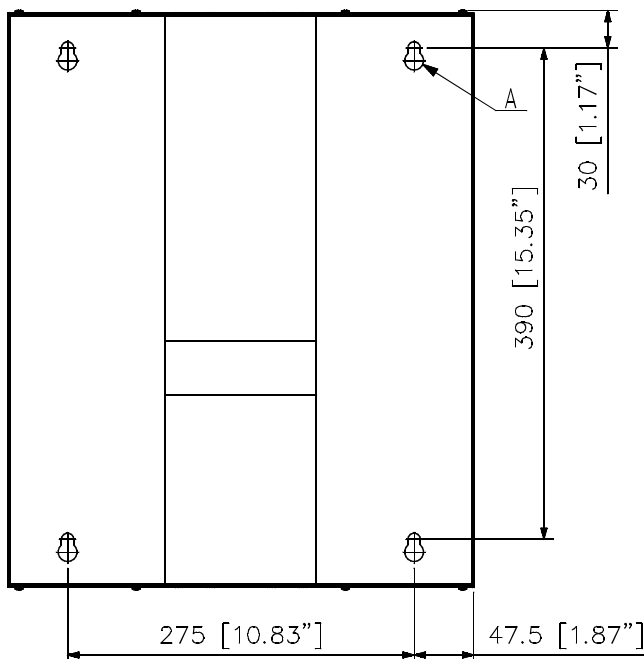


Side View



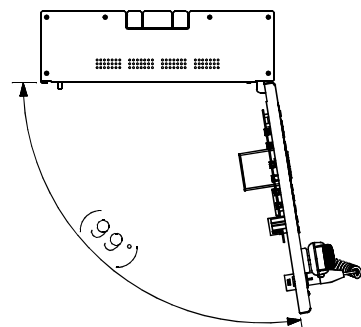
Volume Cover

Back View



View A (Mounting Holes)

SCALE: 1/3



Door open/close angle range
(Top View)

SCALE: 1/12

UNIT: mm SCALE: 1/6

Page: 2/2