

■ SPECIFICATIONS

Product Composition	Handheld wireless microphone ...1, Receiver ...1
Frequency Range	633 - 671MHz, UHF
Channel Selectable	4 Channels
Tunable Frequencies	25kHz Steps
Pilot tone	32.768kHz
Total Harmonic Distortion	<1% @ 1kHz
Function	IR sync, Channel scan, Battery indicator
Accessory	AC adapter ...1
	Microphone holder ...1

Wireless microphone

Microphone Element	Dynamic with cardioid pattern
RF Carrier Power	10mW
Audio Frequency Response	80 - 15000 Hz
Audio input Level	140dB SPL (maximum)
Modulation System	PLL synthesizer
Battery	1 AA size alkaline battery, 1.5 V
Battery Life	Approx. 10 hours
Indicator	Battery status LED, 7 segments LED
Finish	Resin, coating
Dimensions	approx. 250 x 50 mm
Weight	approx. 245 g (with battery)

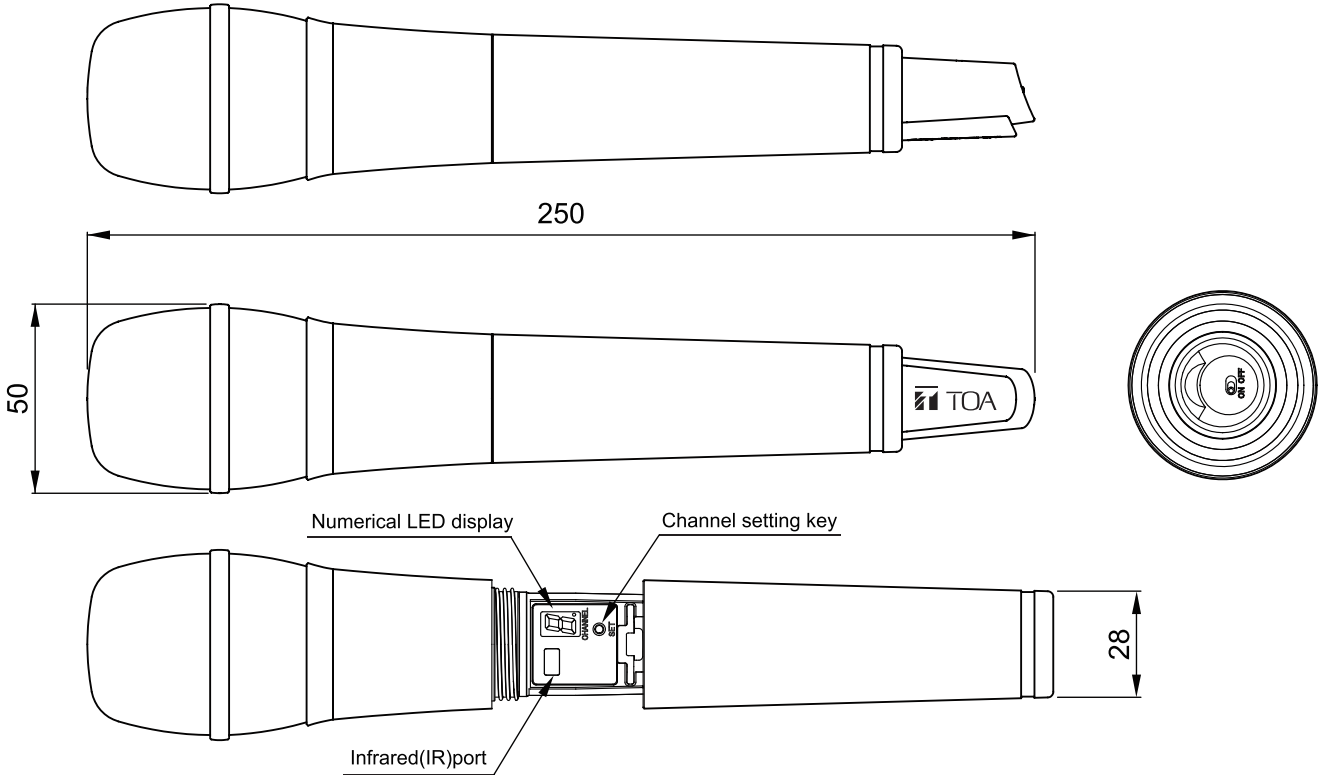
Wireless receiver

Diversity Reception	AC mains (supplied AC-DC adapter must be used)
Sensitivity	10uV at 45dBA S/N
Squelch(SQ)	Tone SQ, Carrier SQ, Noise SQ
Audio Frequency Response	50 - 15000Hz
Audio Output Level (Maximum)	S4.04-RX Balanced (XLR socket) : -20dBu Un-balanced (1/4" jack socket) : 10dBu
Power Supply	11-18 VDC 300mA
Dimensions	215(W) x 39(H) x 102(D) mm (excluding antenna and BNC)
Weight	480g
Option	Mounting bracket kit: MB-S4RX (MB-S4RX-5)

**SINGLE WIRELESS SET  
(HANDHELD SET)**

Z-WS420-AS

Wireless Microphone



Wireless Receiver

