



ZS-648R

Ceiling Mount Speakers



ZS-648R Ceiling Speakers

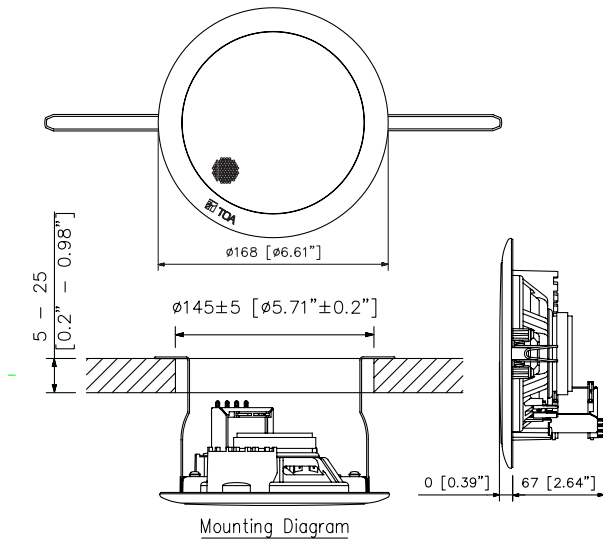
Integrated with a resin panel and speaker frame, ZS-648R are ceiling mount speakers with a metal grille attached. They feature spring clamp mechanism for easy speaker mounting to the ceiling. The input impedance can be easily changed by changing the tap position of the transformer.

Features:

- Spring clamp mechanism for easy speaker mounting to the ceiling
- ZS-648R: 12cm (5") cone type
- New Color Code: RAL 9016
- Optional flame retardant (HIPS UL-94VO) backcan

Installation Example

ZS-648R



ZS-648R	
Rated Input	6W (100V line)
Rated Impedance	100V line: 1.7 kΩ (6W), 3.3kΩ (3W), 10kΩ (1W)
Sensitivity	90dB (1W, 1m)
Frequency Response	100-18,000Hz
Speaker Component	12cm (5") cone-type
Dimensions for Fixing Hole	Mounting hole: Ø145 ± 5mm (Ø5.71" ± 0.2") Ceiling thickness: 5 - 25mm (0.2" - 0.98")
Speaker Mounting Method	Spring Clamp
Finish	Baffle: Polypropylene resin, white (RAL 9016 equivalent) Grille: Surface-treated steel plate net, white (RAL 9016 equivalent), paint
Dimensions	Ø168 x 77 (D) mm (Ø6.61" x 3.03")
Weight	470g (1.04lb)
Accessories	Paper pattern... 1



Scan for more info