

SUBWOOFER WALL MOUNTING BRACKET

HY-WM-FB08B HY-WM-FB08W

Thank you for purchasing TOA's Subwoofer Wall Mounting Bracket.
Please carefully follow the instructions in this manual to ensure long, trouble-free use of your equipment.

TABLE OF CONTENTS

1. SAFETY PRECAUTIONS	1	5. INSTALLATION LOCATION OF	
2. GENERAL DESCRIPTIONS	2	THE WALL BRACKET	2
3. DIMENSIONAL DIAGRAMS	2	6. INSTALLATION	3
4. SPECIFICATIONS	2		

1. SAFETY PRECAUTIONS

- Before installation or use, be sure to carefully read all the instructions in this section for correct and safe operation.
- Be sure to follow all the precautionary instructions in this section, which contain important warnings and/or cautions regarding safety.
- After reading, keep this manual handy for future reference.

WARNING

Indicates a potentially hazardous situation which, if mishandled, could result in death or serious personal injury.

- Install the bracket only in a location that can structurally support the weight of the bracket and the speaker. Doing otherwise may result in the bracket and speaker falling down and causing personal injury and/or property damage.
- Do not use other methods than specified to mount the bracket. Extreme force is applied to the bracket and the speaker could fall off, possibly resulting in personal injuries.
- Use nuts and bolts that are appropriate for the wall's structure and composition. Failure to do so may cause the speaker to fall, resulting in material damage and possible personal injury.
- Tighten each nut and bolt securely. Ensure that the bracket has no loose joints after installation to prevent accidents that could result in personal injury.

- Use the specified speaker in combination. Doing otherwise may cause the bracket and speaker to fall off, resulting in personal injury.
- Do not mount the bracket in locations exposed to constant vibration. It can be damaged by excessive vibration, potentially causing the bracket and speaker to fall, which could result in personal injury.
- Do not install the speaker near the seashore or in locations where corrosive gas is generated, such as swimming pool facilities. If installed in such environments, its mounting bracket may rust or corrode. This could cause the speaker to fall, potentially resulting in personal injury.

CAUTION

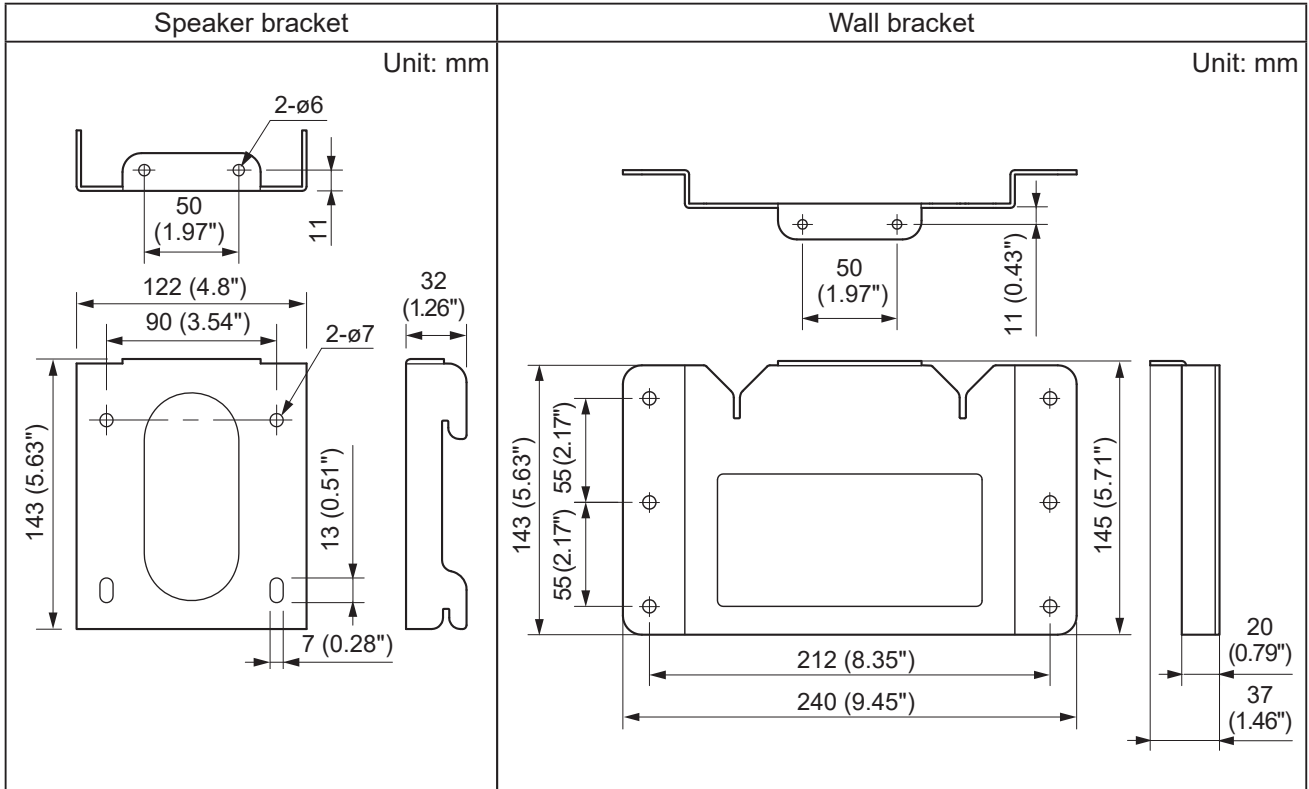
Indicates a potentially hazardous situation which, if mishandled, could result in moderate or minor personal injury, and/or property damage.

- Avoid touching the bracket's sharp metal edge to prevent injury.
- Have the bracket and speaker checked periodically by the shop from where they were purchased. Failure to do so may result in corrosion or damage to the bracket and speaker that could cause the bracket and speaker to fall, possibly causing personal injury.

2. GENERAL DESCRIPTIONS

TOA HY-WM-FB08B and HY-WM-FB08W are the mounting brackets designed for installing the optional Subwoofer system FB-08BT or FB-08WT (hereinafter called "speaker") to the wall. Each bracket consists of a Wall bracket to be installed to the wall and a Speaker bracket to be attached to the speaker.

3. DIMENSIONAL DIAGRAMS



4. SPECIFICATIONS

Model No.	HY-WM-FB08B	HY-WM-FB08W
Applicable Speaker	FB-08BT	FB-08WT
Finish	Steel plate, black* ¹ , paint	Steel plate, white* ² , paint
Weight	850 g (1.87 lb)	
Product composition	Speaker bracket ... 1, Wall bracket ... 1	
Accessories	Hexagon bolt M5 x 12 with plain washer and spring washer 2 Hexagon bolt M6 x 25 with plain washer and spring washer 4	

*1 RAL 9011 equivalent

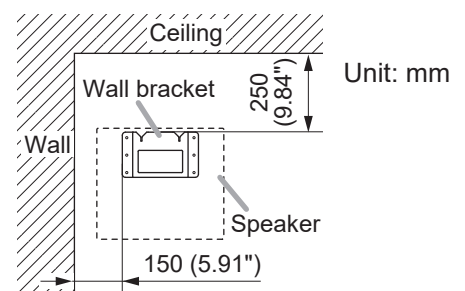
*2 RAL 9016 equivalent

Note: The design and specifications are subject to change without notice for improvement.

5. INSTALLATION LOCATION OF THE WALL BRACKET

When installing the wall bracket to a wall, refer to the installation location diagram shown at right.

The diagram shows the minimum distances from the ceiling or the wall to the wall bracket, taking into consideration the speaker installation procedure.

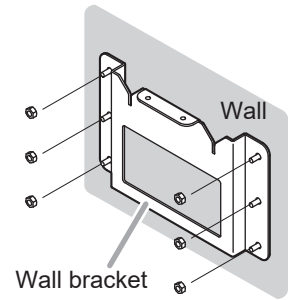


6. INSTALLATION

Step 1. Mount the wall bracket on the wall.

Notes

- Bolts and nuts used for mounting the wall bracket to the wall are not supplied.
- Use M6 bolts and nuts.
- Be sure to mount the wall bracket to the wall using 6 bolts as shown in the figure at right.

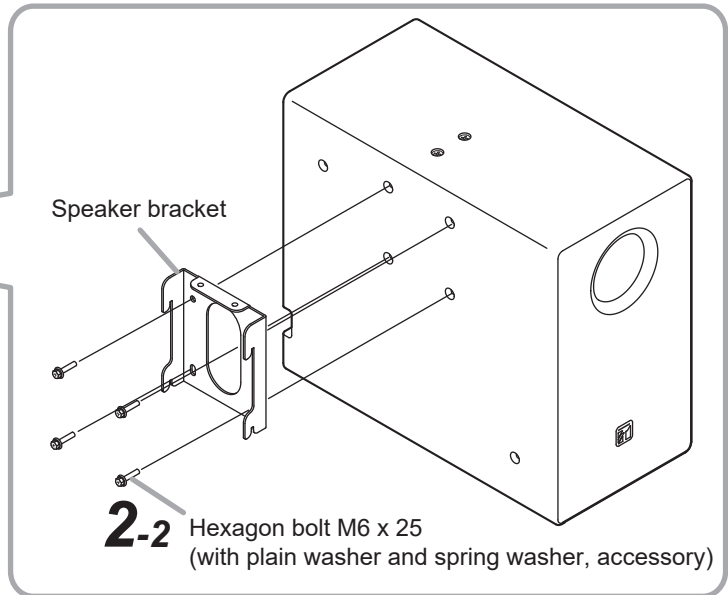
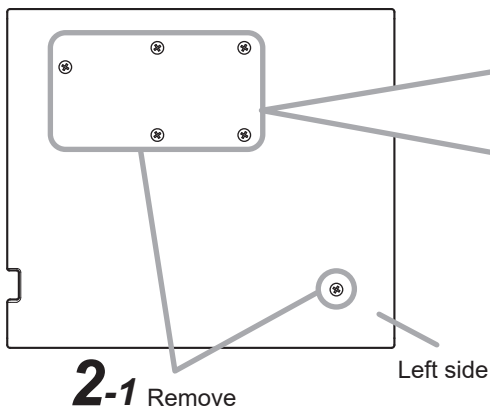


Step 2. Secure the speaker bracket to the speaker.

2-1. Remove all screws from the left side of the speaker.


Tip

The removed screws are not used.



2-2. Secure the speaker bracket to the left side of the speaker using the supplied screws.
Recommended tightening torque: 7 N·m

Step 3. Attach the safety wire to the left side of the speaker as shown in the figure below. (2 places)



WARNING

- Install the safety wire on a wall side to the location that is strong enough to withstand the entire weight of the speaker including the mounting brackets.
- Use safety wire that is strong enough to suspend the full weight of the components to be installed.
- Keep the safety wire at the minimum length without slack.

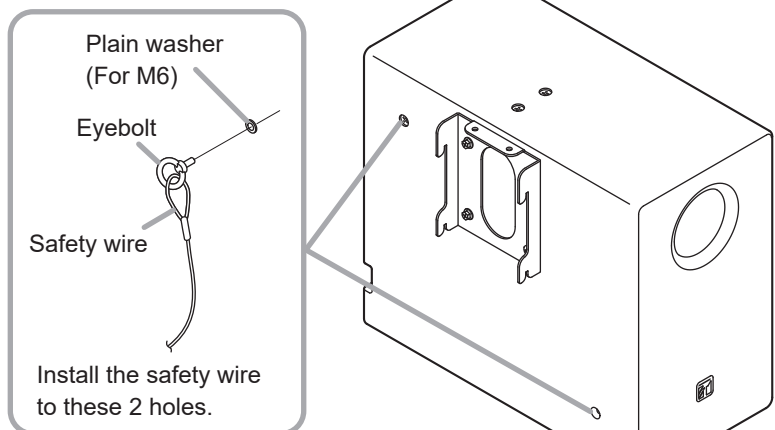
Note

The safety wire and its attachment hardware such as eyebolts, bolts and nuts are not supplied. Prepare them separately.

Tip

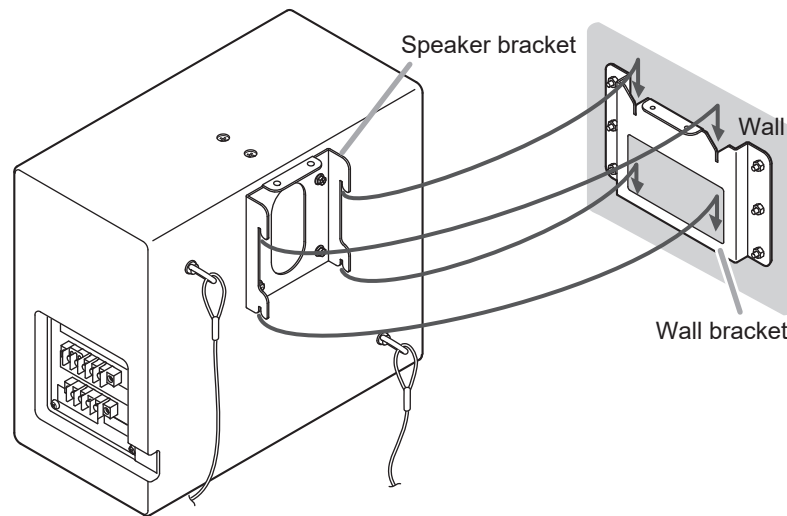
The removed screw is not used.

Install a plain washer and an eyebolt to the 2 screw holes at shown in the figure, then attach the safety wire to the each eyebolt.



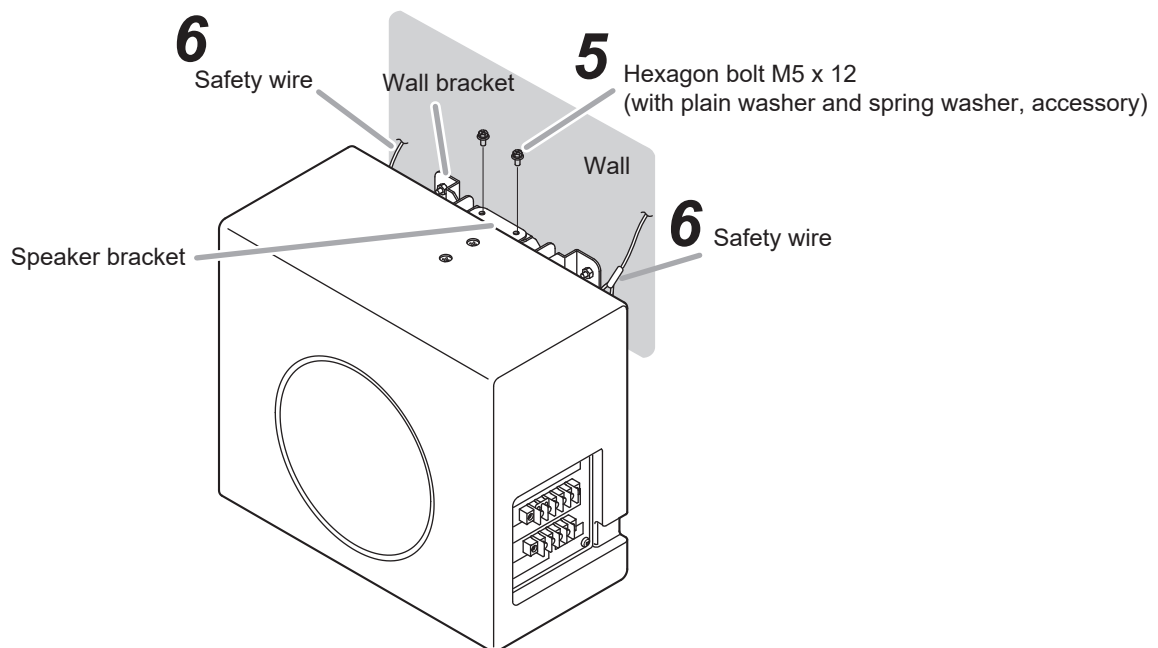
Step 4. Secure the speaker bracket to the wall bracket.

Hook and slide down the speaker bracket onto the wall bracket by aligning the upper hooks of the speaker bracket with the upper notches of the wall bracket and the lower hooks of the speaker bracket with the lower groove of the wall bracket.



Step 5. Secure the speaker bracket and the wall bracket with the supplied screws.

Recommended tightening torque: 3 N·m



Step 6. Attach the safety wires to the wall.