

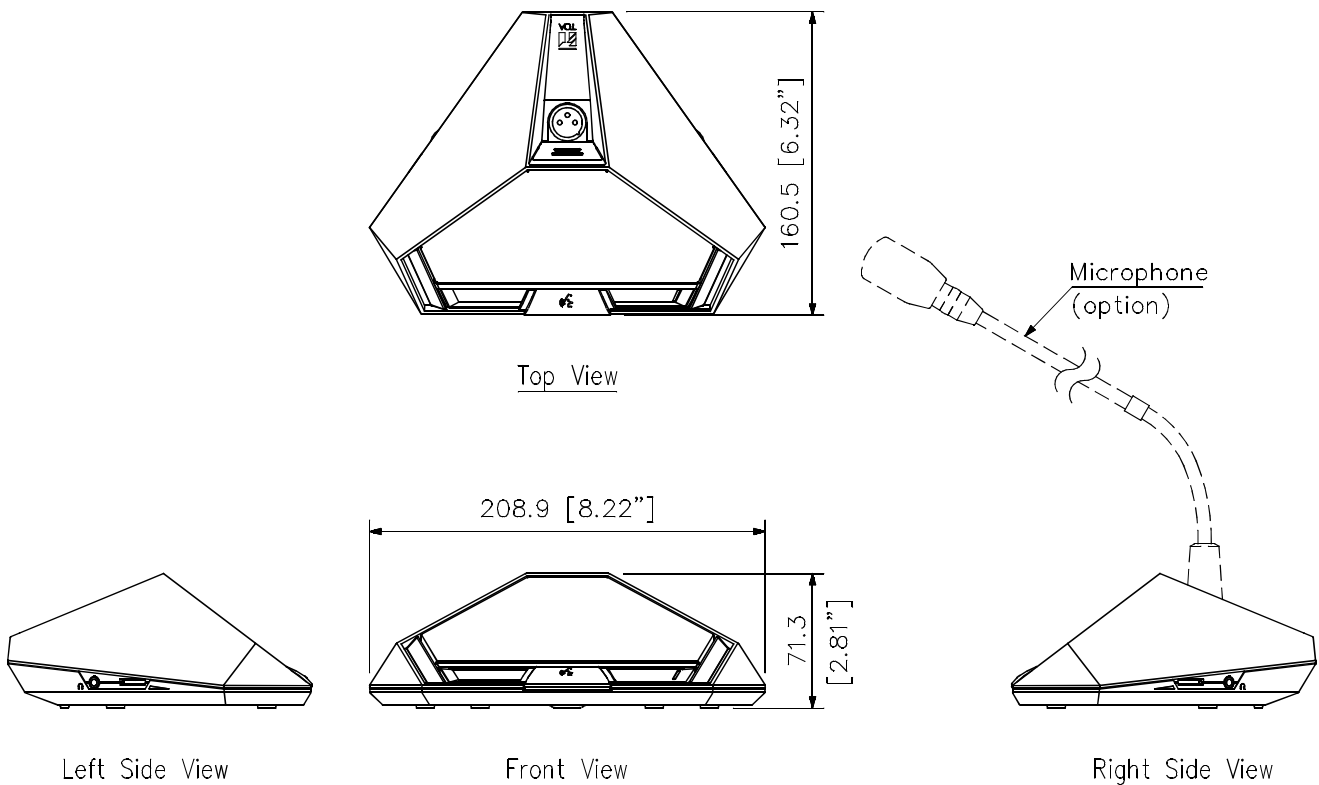
■DESCRIPTION

The Digital conference system's dedicated Z-TSD100D-AS Delegate unit can be instantly used by simply connecting it to the Z-TSD110M-AS Master control unit using CAT5e STP LAN cables. It can also be optionally equipped with either the TS-D1000-M1 Standard microphone or the TS-D1000-M2 Long microphone.

■SPECIFICATIONS

| | |
|-----------------------|---|
| Power Source | 24 V DC (supplied from the Z-TSD110M-AS Master control unit (option), TS-D1000-SU Sub control units (option) or TS-D1000-EX Extension units (option)) |
| Power Consumption | 1.5 W or less |
| Signal to Noise Ratio | 65 dB or more (A-weighted) |
| Input | Microphone terminal: XLR-3-31 type |
| Output | Monitor speaker: 8 Ω, 0.4 W Earphone: ø3.5 mm mini Jack (3P:monaural) ×2 |
| Speaker Output | 75 dB SPL |
| Connecting Terminal | RJ45 connector ×2 |
| LED Indicator | Power indicator, Speech indicator |
| Function | Speech function, Earphone volume control (×2) |
| Operating Temperature | 0 °C to +40 °C (32 °F to 104 °F) |
| Operating Humidity | 90 %RH or less (no condensation) |
| Finish | Case: ABS resin, black, mat finish, paint Speaker net: Steel plate, black, mat finish, paint |
| Dimensions | 208.9 (W) × 71.3 (H) × 160.5 (D) mm (8.22" × 2.81" × 6.32") |
| Weight | 875 g (1.93 lb) |
| Option | Standard microphone: TS-D1000-M1 Long microphone: TS-D1000-M2 |

■APPEARANCE



UNIT: mm SCALE: 1/4