

■DESCRIPTION

The TOA Z-WS300H-AS is diversity wireless tuner can accept up to two optional wireless tuner module of UHF band.

■SPECIFICATIONS

\* 0 dB = 1 V

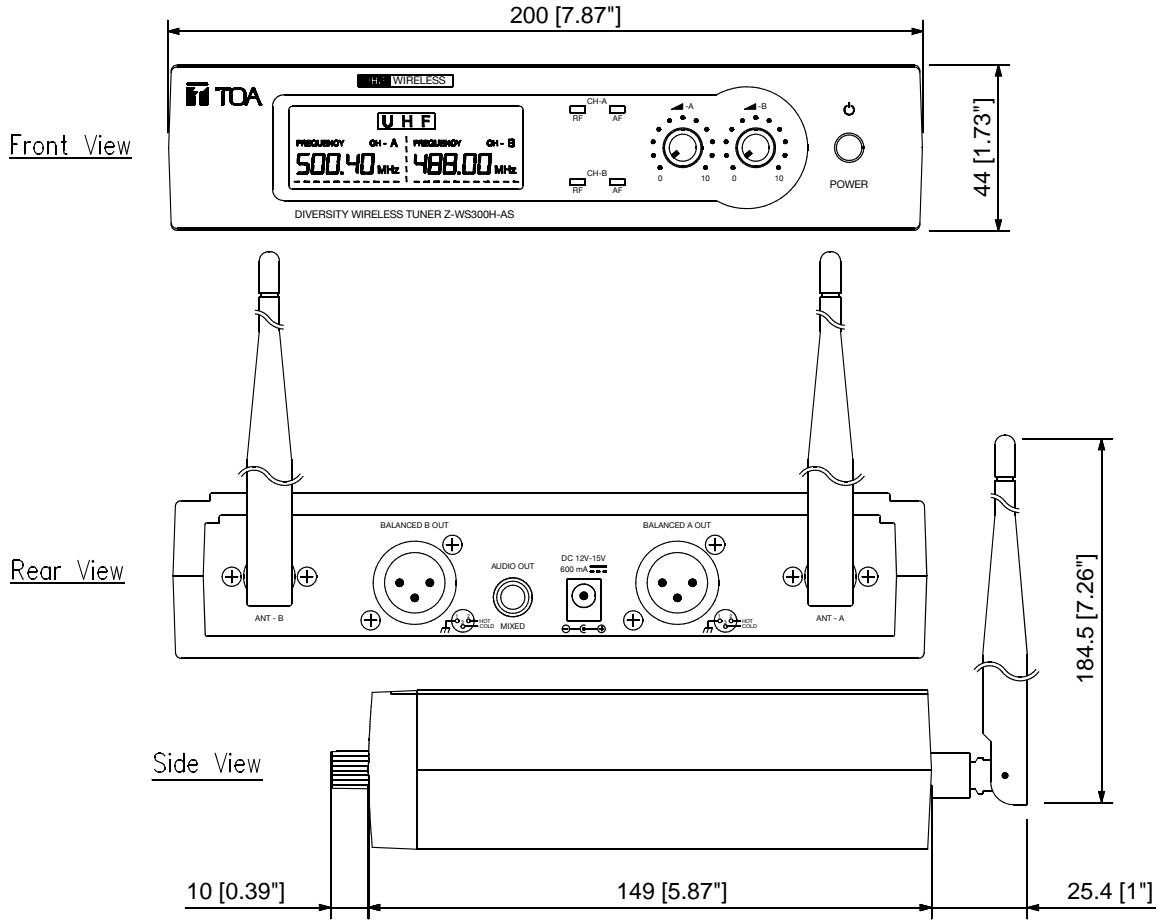
Power Source	AC Adapter : 100 - 240 V AC, 50/60 Hz DC : 12 - 15 V
Power Consumption	600 mA (13.5 V DC, when operating with two tuner modules)
Receiving Frequency	488 MHz - 508 MHz
Audio Output	Mixed Audio: 0 dB*, 8 kΩ, unbalanced, phone jack Balance A: 0 dB*, 10 kΩ, balanced, XLR-3-32 type connector Balance B: 0 dB*, 10 kΩ, balanced, XLR-3-32 type connector
Antenna	Fixed antenna
Indicator	RF-AF (CH-A), RF-AF (CH-B), Display
Signal to Noise Ratio	More than 80 dB (A-weight, balanced output)
Harmonic Distortion	1 % or less
Frequency Response	45 Hz - 15 kHz
Distance	Up to 70 m (Open space)
Operating Temperature	-10 °C to +50 °C (14 °F to 122 °F)
Finish	ABS Resin, Black
Dimensions	200 (W) × 44 (H) × 184 (D) mm (7.87" × 1.73" × 7.24")
Weight	380 g (0.84 lb) (without microphone)
Accessories	AC adapter ...1, Mic holder ...2, Microphone Handheld ...2, Phone Jack Cable ...1

Notes.

Frequency available for each product as follows :

No.	1		2		3	
Frequency	500.40 MHz	488.00 MHz	503.60 MHz	491.03 MHz	505.76 MHz	495.14 MHz
Ring Color on Mic	Green	Yellowish Brown	Blue	Rose Red	Orange	Bright Yellow

Wireless Receiver



Microphone Handheld

