

HORN SPEAKER

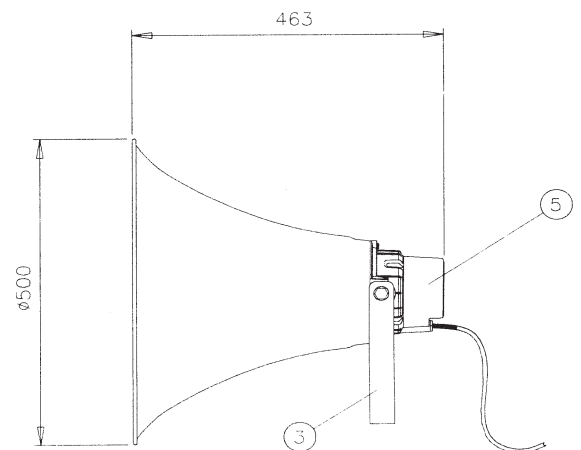
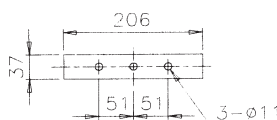
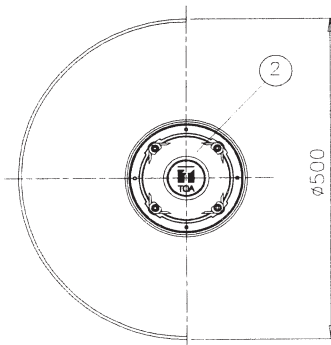
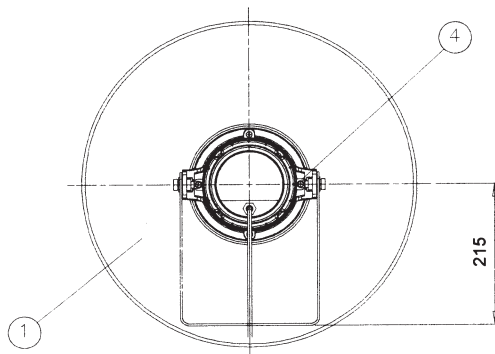
DESCRIPTION

The ZH-5025BM is designed to be used exclusively in the paging or intercom system. Its impedance can be easily changed with a standard screwdriver. To avoid the unit's, do not sound a signal tone from this speaker for long periods of time.

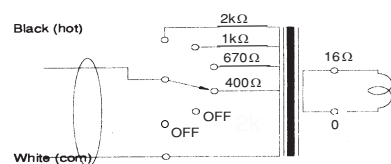
SPECIFICATIONS

Model	ZH-5025BM
Input	Rated 25W
Line Voltage	100V
Impedance	400Ω (25W), 670Ω(15W), 1kΩ(10W), 2kΩ(5W)
Sound Pressure Level (Average)	110dB (1W, 1M) at (Hz) 500, 1000, 1500, 2000
Frequency response (Hz)	200 ~ 6,000
Ambient Temperature	-20°C to +55°C
Finish	
1 HORN-A	Aluminium, off white
2 REFLECTOR HORN	ABS resin, off white
3 BRACKET	Steel, off white
4 BRACKET HOLDER	ADC, off white
5 REAR COVER	ABS resin, grey
SCREW & BOLT	Steel, electro plating (chromate)
SPEAKER CABLE	Polyvinyl chloride insulated cabtyre cable
Weight	4.7kg

APPEARANCE



Connection diagram



UNIT : MM