

DESCRIPTION

The Z-SRX18B-AS is a sub-woofer system designed to be used in conjunction with the Z-SRX12L-AS or Z-SRX12S-AS Line array speaker.

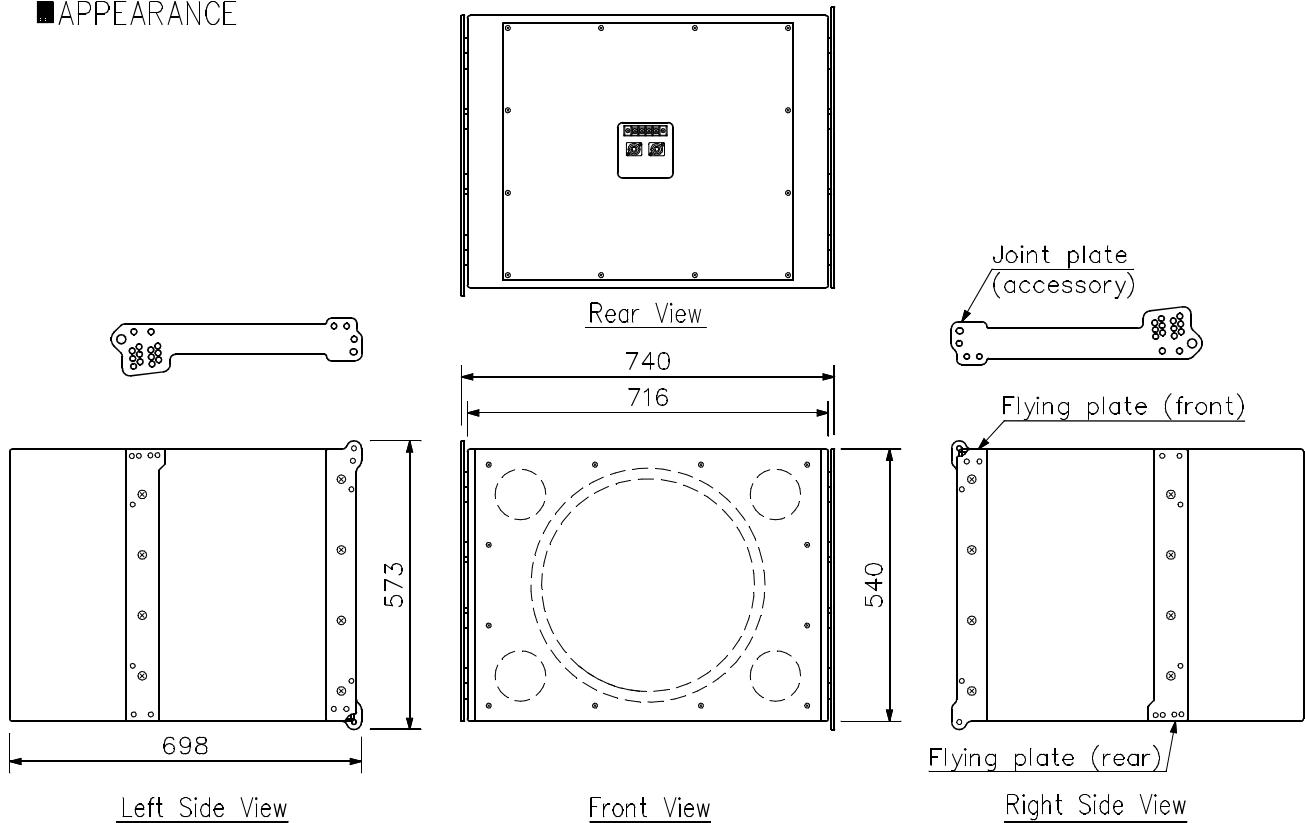
The Z-SRX18B-AS employs the multi-amplifier drive system.

Recommended digital speaker processor is the DP-SP3 (option).

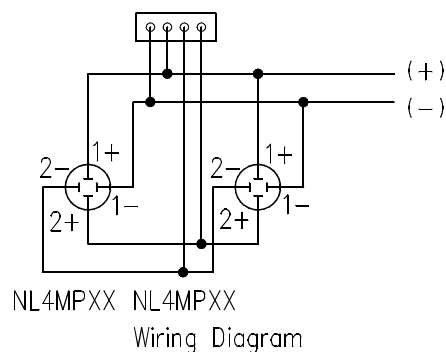
SPECIFICATIONS

Enclosure	Bass-reflex type
Power Handling Capacity	Continuous program: 900 W
Rated Impedance	8 Ω
Sensitivity	95 dB (1 W, 1 m)
Frequency Response	40 - 400 Hz (when recommended parameters are applied by the optional DP-SP3)
Crossover Frequency	80 Hz (when recommended parameters are applied by the optional DP-SP3)
Speaker Component	46 cm cone-type
Input Connector	M4 screw terminal, distance between barriers: 10 mm and Neutrik NL4MPXX × 2
Finish	Enclosure: Wood, black, urethane coating Front grille: Punched steel plate, black, paint
Dimensions	740 (W) × 573 (H) × 698 (D) mm
Weight	84 kg (including accessories)
Accessory	Joint plate ×2, Joint plate mounting bolt (M10) ×16
Option	Rigging frame: SR-RF12 Digital speaker processor: DP-SP3

APPEARANCE



Screw terminal 4P



UNIT: mm SCALE: 1/15