

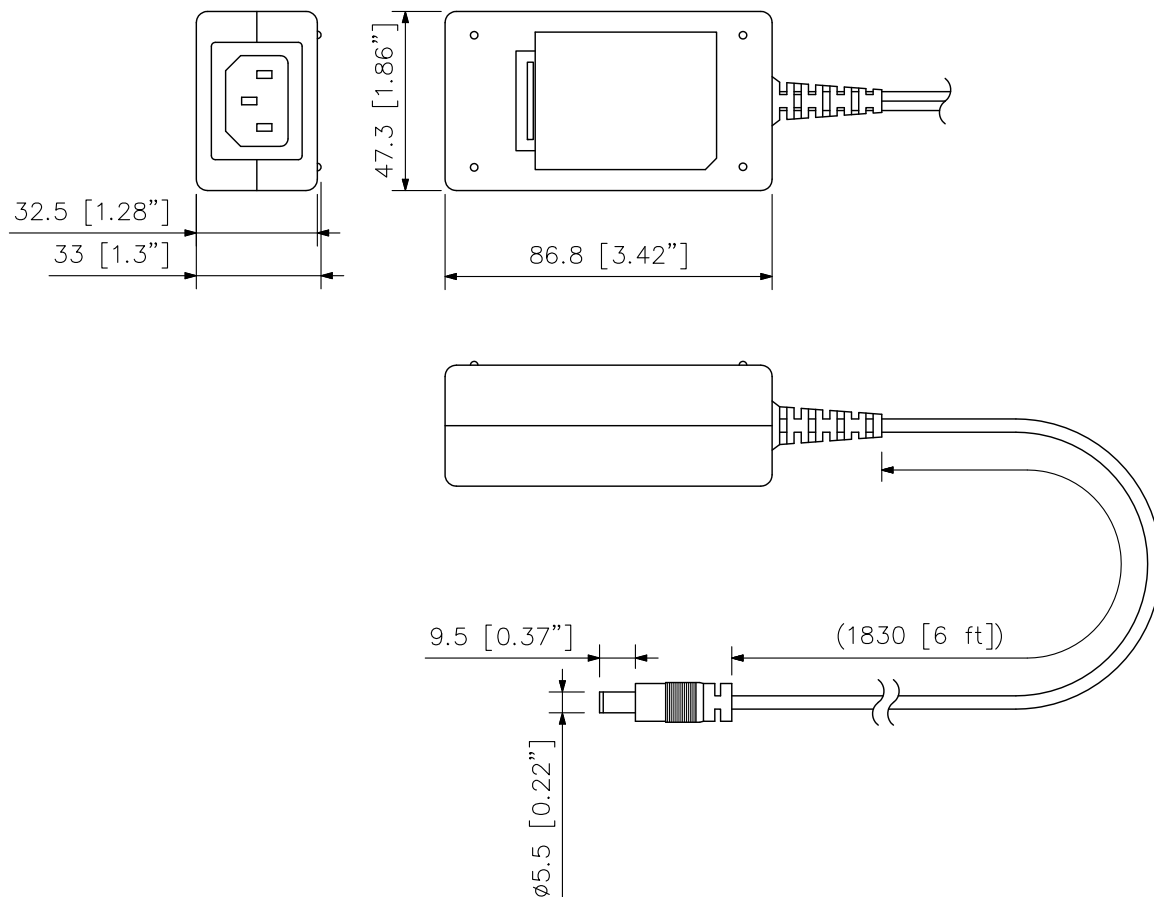
DESCRIPTION

The AD-0910 is an AC adapter to operate the Chairman units TS-801 and TS-901, and the Delegate units TS-802 and TS-902 on AC.

SPECIFICATIONS

| | |
|-----------------------|--------------------------------------|
| Power Source | 100 – 240 V AC, 50/60 Hz |
| Output | 9 V DC, 1 A |
| Ripple Voltage | 200 mV (p-p) |
| Power Consumption | 400 mA AC, Input 100 V |
| Cord Length | 1.8 m (5.91 ft) |
| Plug | RC6705, center “+” |
| Operating Temperature | 0 °C to +40 °C (32 °F to 104 °F) |
| Operating Humidity | 90 %RH or less (no condensation) |
| Finish | Case: Resin, black |
| Weight | 150 g (0.33 lb) |
| Accessory | AC power cord (2 m (6.56 ft))1 |

APPEARANCE



| Version | CE | CE-GB | UL |
|---------|----|-------|----|
| AC plug | | | |

UNIT: mm SCALE: 1/2

Note: Numerical values in parentheses are for reference only.