

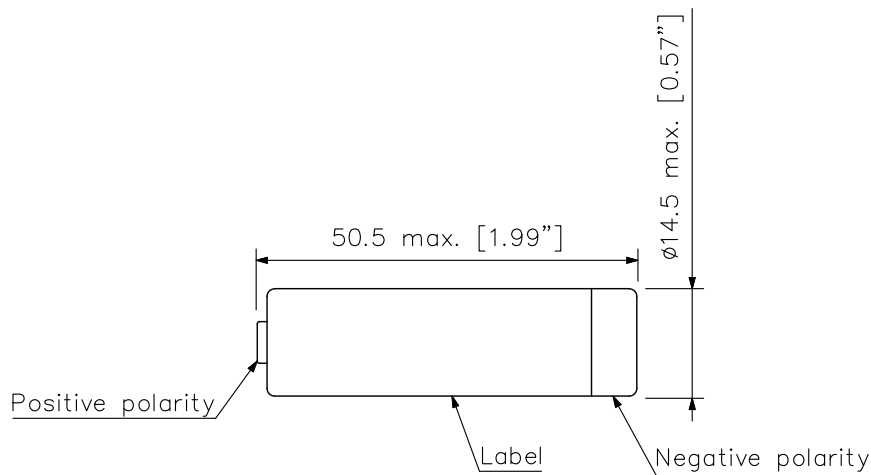
■ DESCRIPTION

The WB-2000-2 (containing 2 pieces) is an AA nickel-metal hydride (Ni-MH) rechargeable battery pack designed for exclusive use with the Wireless microphones, Wireless transmitter, and Portable receiver.

■ SPECIFICATIONS

Nominal Voltage	1.2 V DC
Capacity	1900 mAh (rated), 2000 mAh (typical)
Operating Temperature	0 °C to +40 °C (32 °F to 104 °F)
Operating Humidity	30 % to 85 %RH (no condensation)
Dimensions	∅14.5 × 50.5 mm (∅0.57" × 1.99")
Weight	30 g (1.06 oz) (per piece)
Applicable Model	Digital wireless microphone: WM-D5200, WM-D5300 Wireless microphone: WM-5225, WM-5265 Wireless transmitter: WM-5325 Portable receiver: WT-5100

■ APPEARANCE



Notes

1. When using the WB-2000-2 for the first time, be sure to charge it.
2. Insert the WB-2000-2 into the applicable model, then charge it using the dedicated Battery charger (option).