

■DESCRIPTION

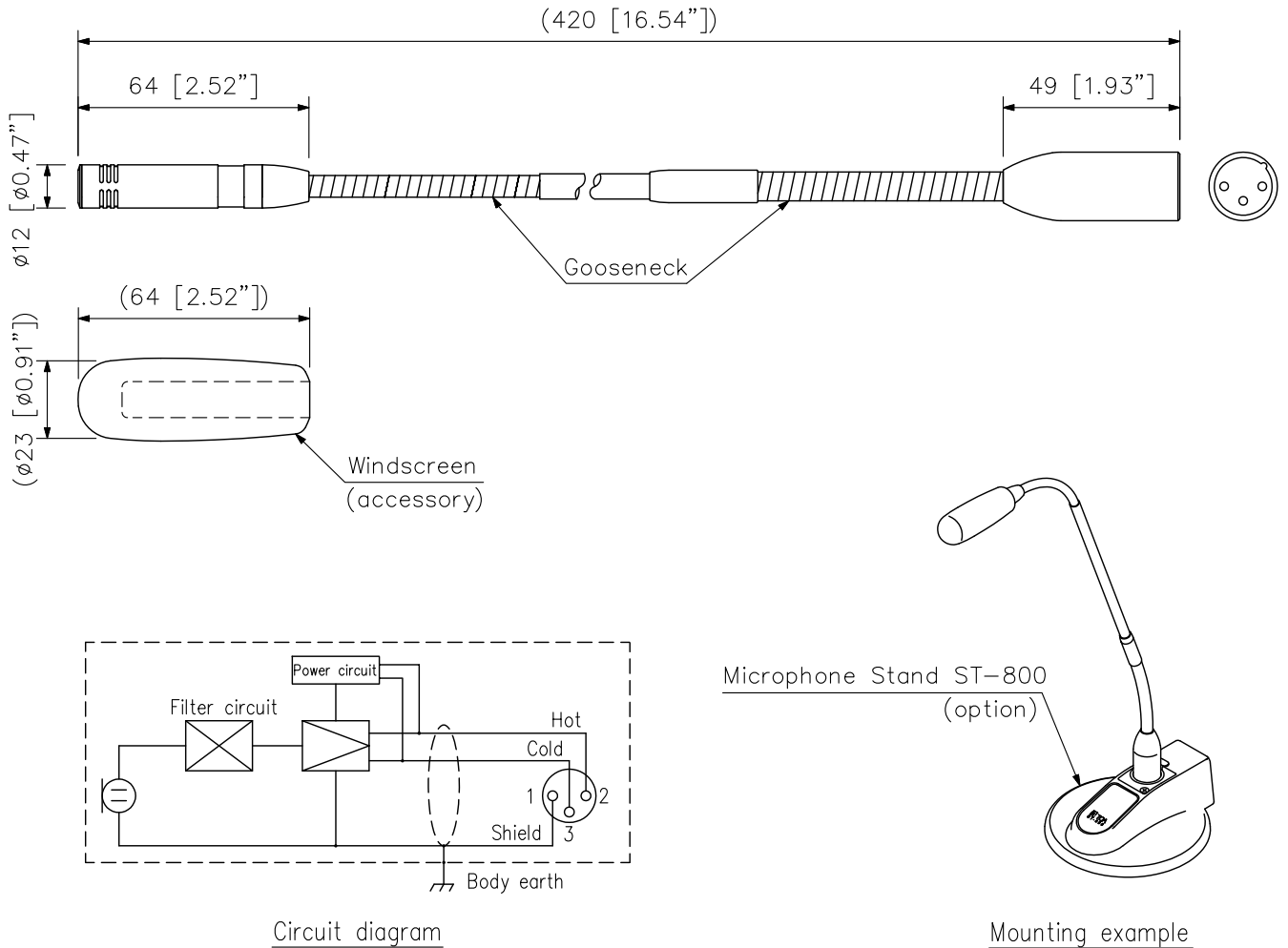
The EM-800 is a slim, high-quality, cardioid condenser microphone designed for use in conference rooms, lecture halls, and paging applications. It can be easily plugged into a dedicated optional ST-800 Microphone Stand.

■SPECIFICATIONS

Element	Electret condenser
Polar Pattern	Cardioid
Rated Impedance	120 Ω, balanced
Rated Sensitivity	-35 dB (1 kHz 0 dB=1 V/Pa)
Phantom Power	9 - 52 V DC
Frequency Response	60 Hz - 20 kHz
Output Connector	XLR-3-12 equivalent
Operating Temperature	0 °C to +40 °C (32 °F to 104 °F)
Finish	Body, Shaft: Copper alloy, black, semi-gloss, paint
Dimensions	∅12 × 420 mm (∅0.47" × 16.54")
Weight	135 g (0.3 lb)
Accessory	Windscreen *1
Usable Stand	Microphone Stand: ST-800 (option)

※ The EM-800 requires 9 - 52 V DC phantom power for operation.

■APPEARANCE



UNIT:mm SCALE:1/2