

DESCRIPTION

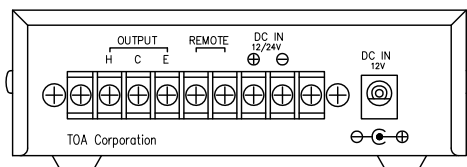
The RU-2001 is a microphone amplifier for the PM-660D Paging Microphone with a remote control switch and a 5-pin DIN socket. The power of the PM-660D's internal power amplifier, and global speaker output can be remotely controlled from the RU-2001.

SPECIFICATIONS

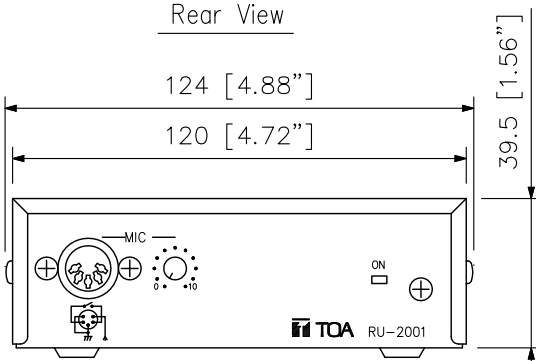
* 0 dB = 1 V

Power Requirement	12 - 24 V DC or 12 V AC adaptor
Current Consumption	60 mA
Microphone Input	-62 dB*, 600 Ω, unbalanced, 5-pin DIN socket
Output	0 dB*, 600 Ω, balanced, M3 screw terminal, distance between barriers: 6.4 mm (0.25")
Applicable Microphone	PM-660D
Operating Temperature	-10 °C to +50 °C (14 °F to 122 °F)
Operating Humidity	90 %RH or less (no condensation)
Finish	Pre-coated steel plate, black
Dimensions	124 (W) × 42.5 (H) × 159 (D) mm (4.88" × 1.67" × 6.26")
Weight	600 g (1.32 lb.)
Accessory	Mounting bracket.....1

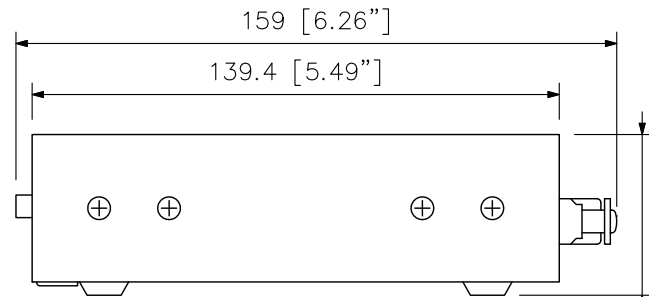
APPEARANCE



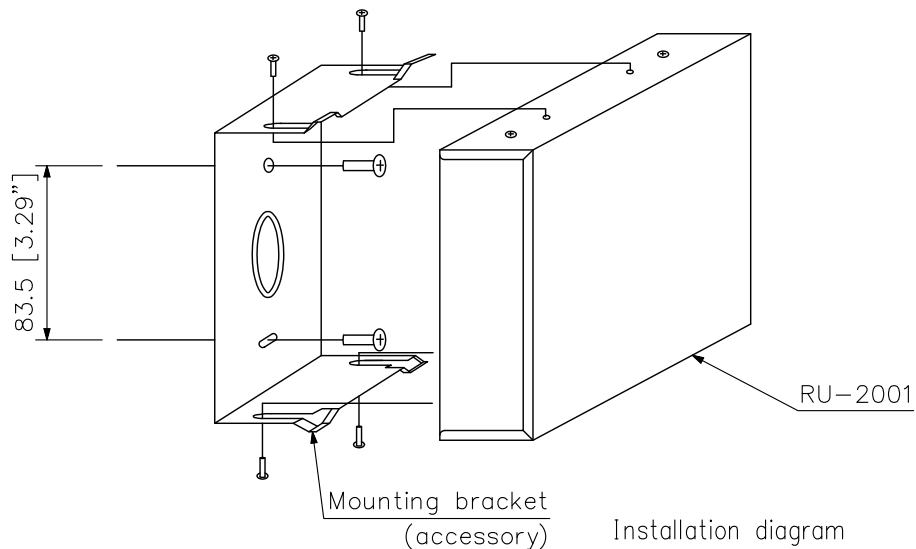
Rear View



Front View



Side View



Installation diagram

UNIT: mm SCALE: 1/2