

## DESCRIPTION

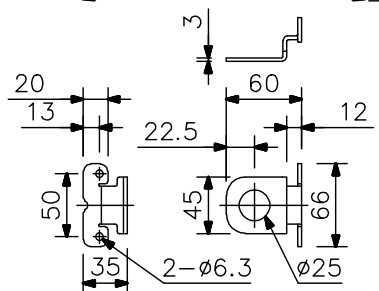
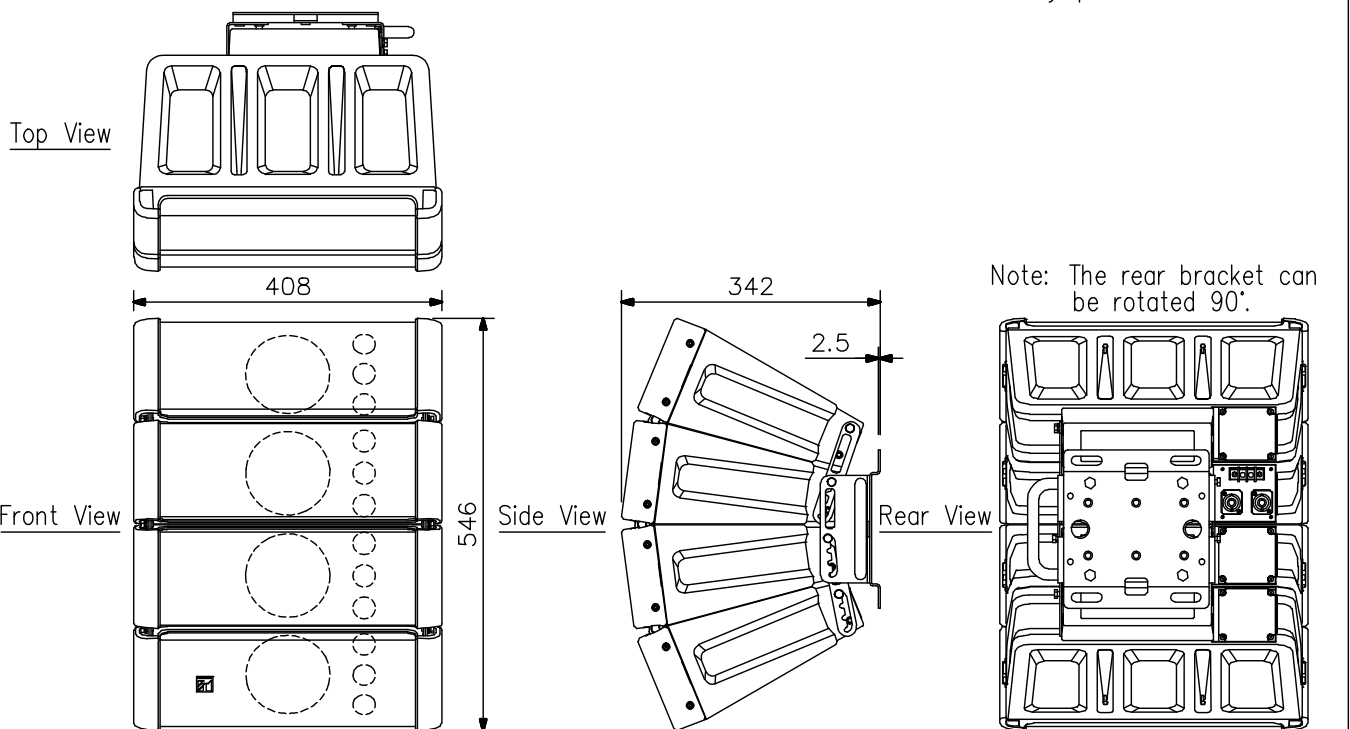
The Z-5B-HX2 is a 2-way compact speaker system that permits both constant directivity control over a wide frequency range and changes in directivity. It is ideal for reproducing clear sound in spaces with long reverberation times or high background noises. It is designed for indoor use.

## SPECIFICATIONS

Enclosure	Bass-reflex type
Power Handling Capacity	Continuous: 200 W, Program: 400 W (IEC 60268-5)
Rated Impedance	8 Ω
Sensitivity (1 W, 1 m)	96 dB (60° mode), 97 dB (45° mode), 98 dB (30° mode), 99 dB (15° mode) *
Frequency Response	70 Hz - 20 kHz (-10 dB) (60° mode), 75 Hz - 20 kHz (-10 dB) (45° mode), 80 Hz - 20 kHz (-10 dB) (30° mode), 85 Hz - 20 kHz (-10 dB) (15° mode)
Crossover Frequency	4 kHz
Directivity Angle	Horizontal: 100° (2 kHz or more) Vertical: 60° (800 Hz or more), 45° (1.2 kHz or more), 30° (1.6 kHz or more), 15° (3.2 kHz or more) variable
Speaker Component	Low frequency: 12 cm cone-type x 4, High frequency: Balanced dome-type x 12
Input Terminal	Speakon NL4MP x 2 and M4 screw terminal
Finish	Enclosure: Polypropylene, black Punched net: Surface-treated steel plate, black
Dimensions	408 (W) x 546 (H) x 342 (D) mm
Weight	16 kg
Accessory	Hanging bracket x2, Hex. wrench x1
Option	Matching transformer: MT-200 Speaker mounting bracket: ZY-PF1B, ZY-CW1B, ZY-WM1B, ZY-WM2B, ZY-CN1B Speaker stand adapter: ZY-ST1

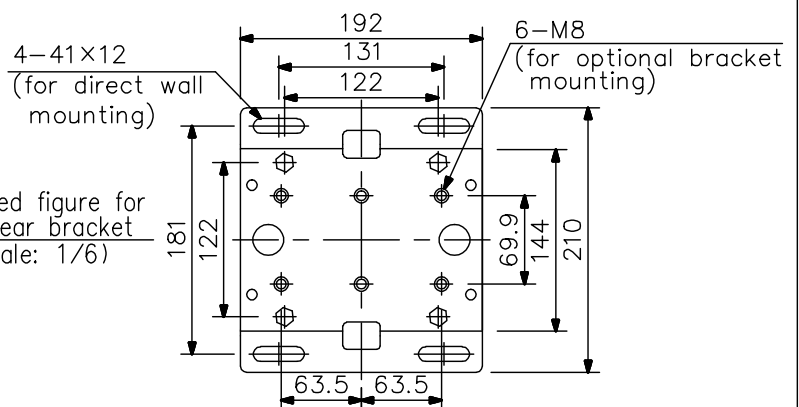
## APPEARANCE

\* (Factory-preset: 60° mode)



Enlarged figure for the hanging bracket (accessory)  
(scale: 1/6)

UNIT: mm SCALE: 1/10



Enlarged figure for the rear bracket  
(scale: 1/6)