

DESCRIPTION

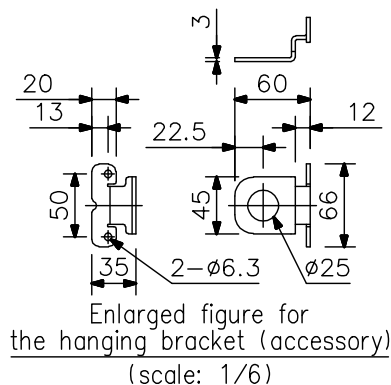
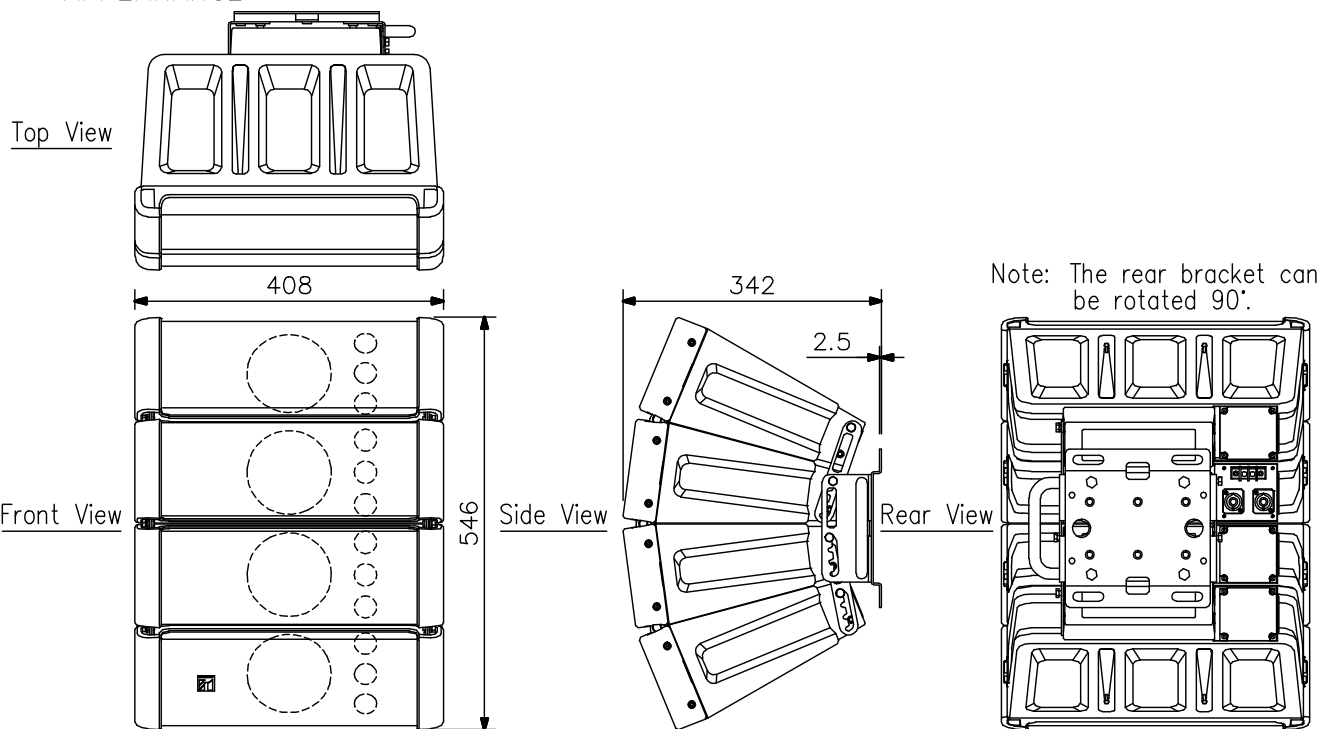
The Z-5W-HX2 is a 2-way compact speaker system that permits both constant directivity control over a wide frequency range and changes in directivity. It is ideal for reproducing clear sound in spaces with long reverberation times or high background noises. It is designed for indoor use.

SPECIFICATIONS

Enclosure	Bass-reflex type
Power Handling Capacity	Continuous: 200 W, Program: 400 W (IEC 60268-5)
Rated Impedance	8 Ω
Sensitivity (1 W, 1 m)	96 dB (60° mode), 97 dB (45° mode), 98 dB (30° mode), 99 dB (15° mode) *
Frequency Response	70 Hz - 20 kHz (-10 dB) (60° mode), 75 Hz - 20 kHz (-10 dB) (45° mode), 80 Hz - 20 kHz (-10 dB) (30° mode), 85 Hz - 20 kHz (-10 dB) (15° mode)
Crossover Frequency	4 kHz
Directivity Angle	Horizontal: 100° (2 kHz or more) Vertical: 60° (800 Hz or more), 45° (1.2 kHz or more), 30° (1.6 kHz or more), 15° (3.2 kHz or more) variable
Speaker Component	Low frequency: 12 cm cone-type x 4, High frequency: Balanced dome-type x 12
Input Terminal	Speakon NL4MP x 2 and M4 screw terminal
Finish	Enclosure: Polypropylene, white Punched net: Surface-treated steel plate, white
Dimensions	408 (W) x 546 (H) x 342 (D) mm
Weight	16 kg
Accessory	Hanging bracket x2, Hex. wrench x1
Option	Matching transformer: MT-200 Speaker mounting bracket: ZY-PF1W, ZY-CW1W, ZY-WM1W, ZY-WM2W, ZY-CN1W Speaker stand adapter: ZY-ST1

APPEARANCE

* (Factory-preset: 60° mode)



UNIT:mm SCALE:1/10

