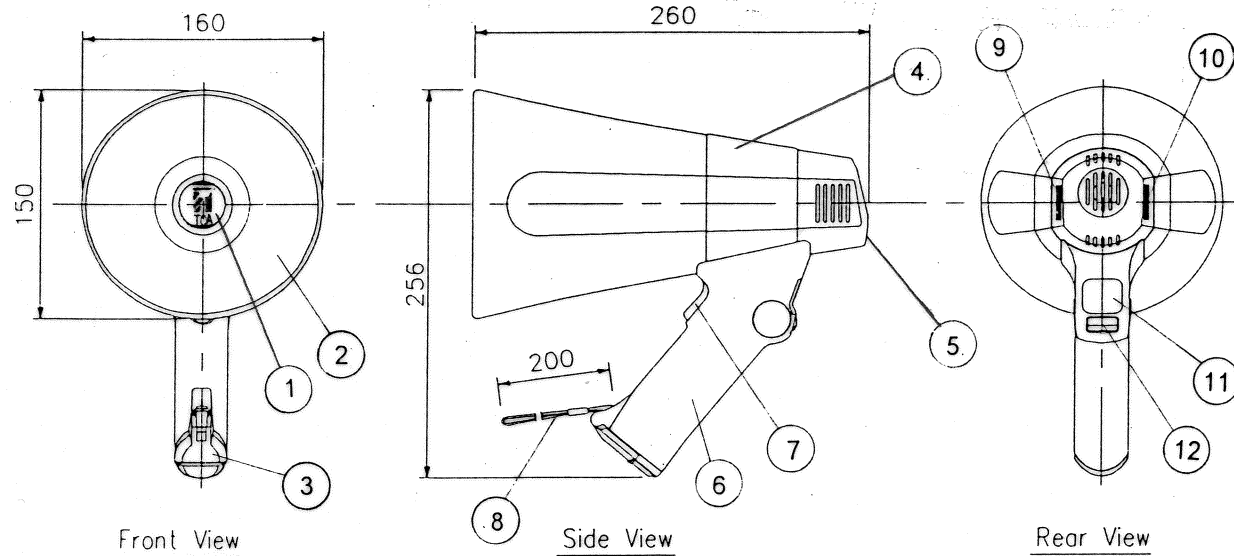


●APPEARANCE



- | | |
|------------------|-------------------|
| 1. Brand mark | 8. Strap |
| 2. Reflex horn | 9. Name label |
| 3. Battery cover | 10. Warning label |
| 4. Amp. case | 11. Volume label |
| 5. Mic case | 12. Volume knob |
| 6. Handle | |
| 7. Trigger | |

●SPECIFICATIONS

Model	ZR-510
Amp. output	6 W (rated) 10 W (max.)
Power source	R6P (SUM-3) or "AA" type battery x8 (12V DC)
Battery life	Approximately 10 hours
Audible range	Approximately 250 m (city areas)
Mouth diameter	φ150 mm
Length	260 mm
Weight	620 g (without battery)
Finish	Horn and mic case : ABS resin, off-white Strap : Teton, black Others : Grey

All dimensions are in millimeters