

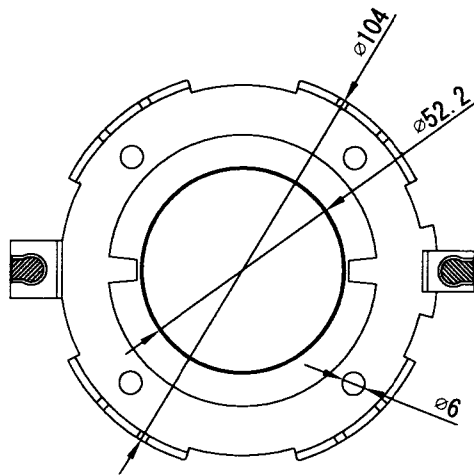
■ DESCRIPTION

TOA's ZG-30DB is a speaker diaphragm that mainly part of horn speaker.  
 A designated by polyimide material, that can produce good quality sound and strong to power handling.

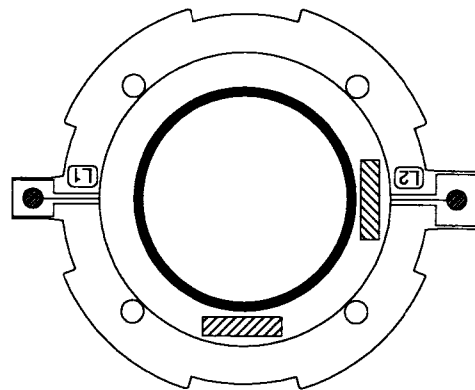
■ SPECIFICATION

Applicable driver unit	ZH-5025B, ZH-5025BM, ZH-651D, ZH-651MD ZH-632D, ZH-632MD, ZH-652D, ZH-652MD
Rated Input	50 W (When operated with ZH-652D series)
Rated Impedance	16 Ω (When operated ZH-652D with ZH-652T)
Sound Pressure Level	110 dB (1W, 1m ) (When operated ZH-652D with JIS C 5504 standard horn)
Frequency Response	150 - 6,000Hz (When operated ZH-652D with JIS C 5504 standard horn)
Dimensions	∅104 mm X 24 (D) mm (∅ 4.094" X 0.945")
Weight	24 g (0.052 lb)

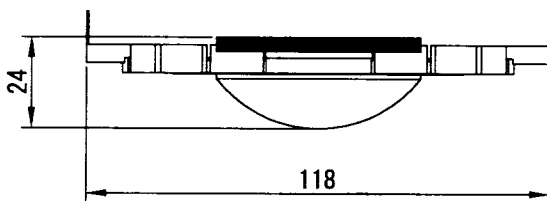
■ APPEARANCE



Bottom View



Top View



Side View

UNIT: mm Scale 1 / 2