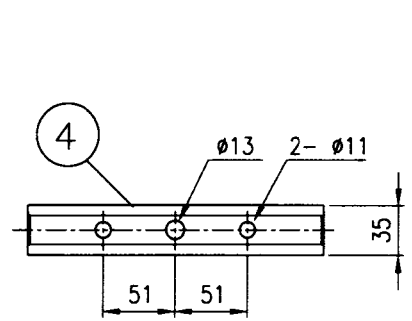
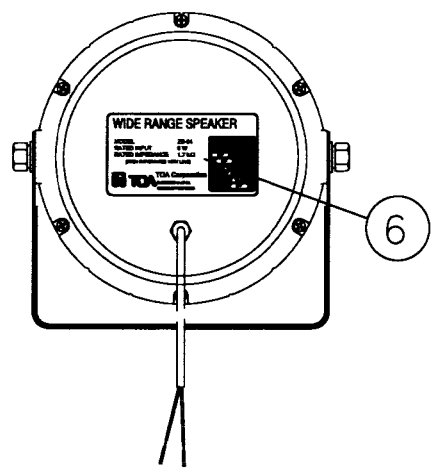


Front view

Side view



Angle



Rear view

SPECIFICATION

1. WIDE HORN FRONT
2. WIDE HORN REAR
3. PUNCHED NET
4. ANGLE
5. SPEAKER CORD
6. NAME LABEL
7. SIGNATURE LABEL

Input	Rated	6W
	Maximum	9W
Input impedance	100V Line	1.7kΩ(6W)
		3.3kΩ(3W)
		10kΩ(1W)
Preset impedance (at 100V Line)		1.7kΩ(6W)
SPL (1kHz)		96dB
Speaker Diameter		12cm
Frequency Response		130Hz-13,000Hz
Dimensions		233(W)X224(H)X208(D)
Weight		1.5kg
Material	Wide Horn Front, Wide Horn Rear	ABS Resin
	Angle, Bolt	SUS 304
	Punched net	SECC
Color	Wide Horn Front, Wide Horn Rear	Light grey
	Angle, Bolt	Natural
	Punched net	Dark grey