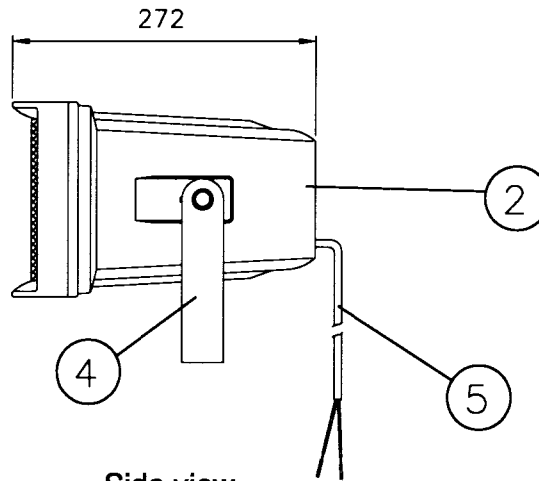
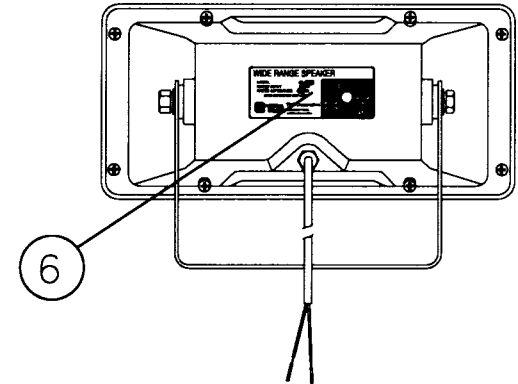


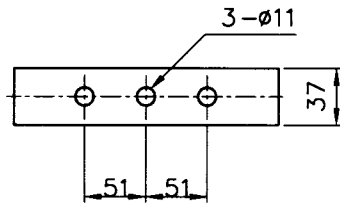
Front view



Side view



Rear view



Angle

SPECIFICATION

1. CS-303 HORN
2. CS-303 COVER
3. EXPANDED NET
4. ANGLE
5. SPEAKER CORD
6. NAME LABEL
7. SIGNATURE LABEL

MODEL		ZS-254	ZS-154
INPUT	Rated	25W	15W
Input impedance		400Ω	670Ω
		500Ω	1kΩ
		1kΩ	2kΩ
Preset impedance (at 100V Line)		400Ω	670Ω
SPL (dB / W / m)		98	97
Speaker Diameter		12cm	
Frequency Response		120-15kHz	150-15kHz
Dimensions		366(W)X230(H)X272(D)mm	
Weight		3.1 kg	2.8 kg
Material	Horn, cover	ABS RESIN	
	Angle, Bolt	SUS-304	
	Expanded net	ALUMINIUM	
Color	Horn, cover	LIGHT GREY	
	Angle, Bolt	NATURAL	
	Expanded net	DARK GREY	