

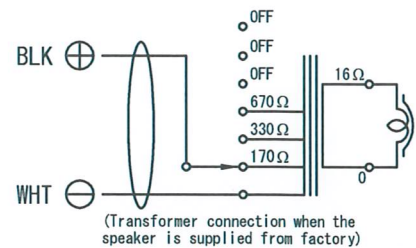
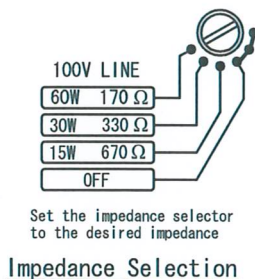
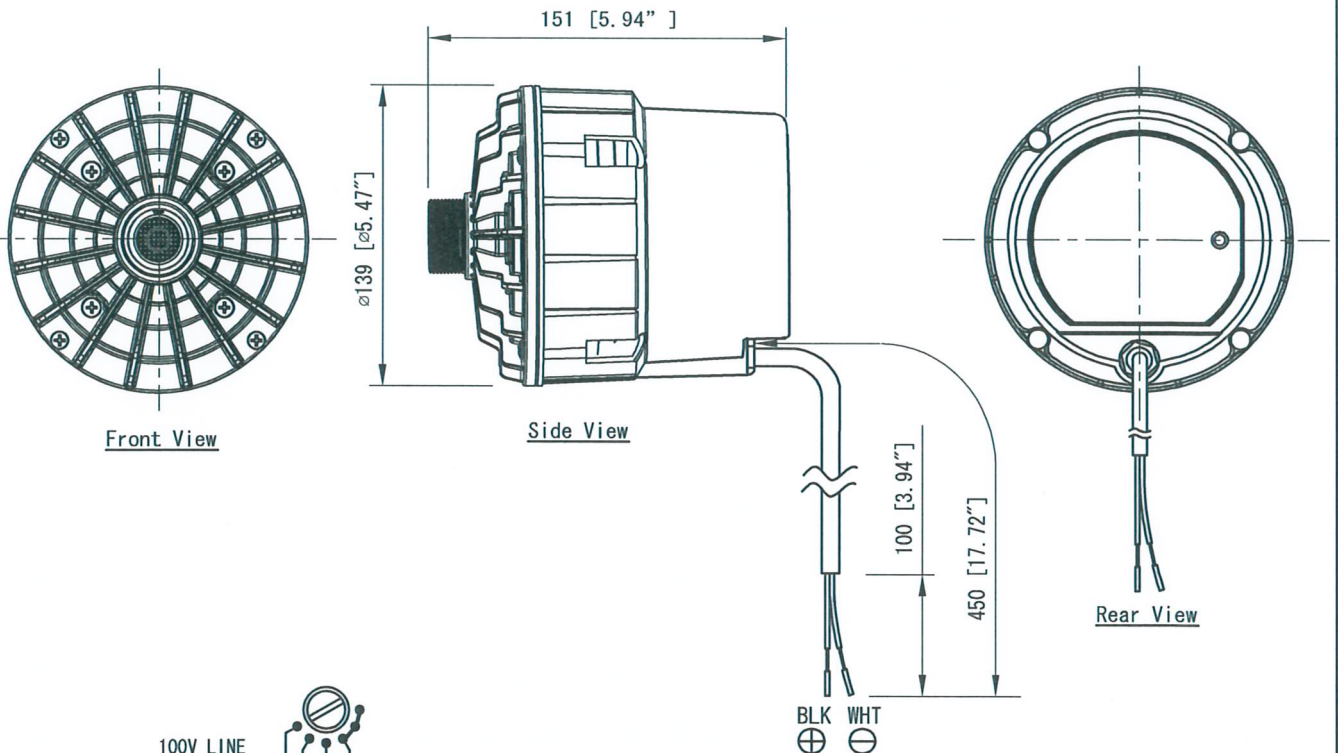
DESCRIPTION

The ZH-662MD-AS is a highly intelligible driver unit suited to public address announcement applications. Use the driver unit in combination with a suitable horn (optional). Its powder coated finish and stainless steel screws ensure the unit's weatherproof capability.

SPECIFICATIONS

|                             |  |
|-----------------------------|--|
| Applicable Horn             | ZH-652T  |
| Rated Input                 | 60 W   |
| Line Voltage                | 100 V line   |
| Rated Impedance             | 100 V line: 170 Ω (60 W), 330 Ω (30 W), 670 Ω (15 W)   |
| Output Sound Pressure Level | 110 dB (1 W, 1m) (When operated with JIS C 5504 standard horn.)  |
| Frequency Response          | 150 - 8,000 Hz (When operated with JIS C 5504 standard horn.)  |
| IP Code                     | IP 65 (When a driver is operated with a horn.)   |
| Horn Coupling               | 1 - 3/8" - 18 threads (inch screw)   |
| Polarity                    | Hot: Black, Com: White   |
| Operating Temperature       | -20° C to +55° C (-4° F to 131° F) (must be free from dew condensation)  |
| Finish                      | Upper cover: Aluminum, White, Powder Coating<br>Trans case: HIPS, White<br>Screws: Stainless steel<br>Speaker cable: Polyvinyl chloride insulated cabtyre cable (6 mm (0.24") in diameter, 450 mm (17.72") in length), White |
| Dimensions                  | ∅139 X 151 (D) mm (∅5.47" X 5.94")   |
| Weight                      | 2.7 kg (5.95 lb)   |

APPEARANCE



Wiring diagram

UNIT:mm SCALE:1/3

Date: Nov 27, 2017