

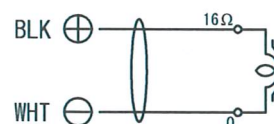
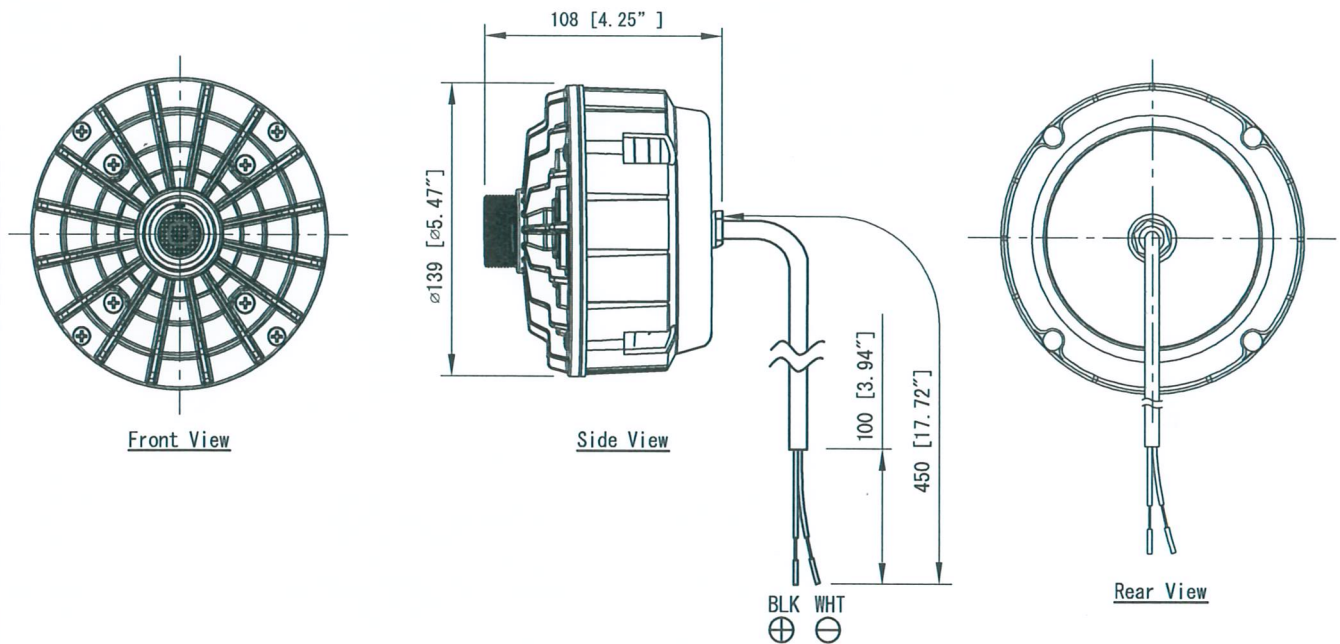
DESCRIPTION

The ZH-662D-AS is a highly intelligible driver unit suited to public address announcement applications. Use the driver unit in combination with a suitable horn (optional). Its powder coated finish and stainless steel screws ensure the unit's weatherproof capability.

SPECIFICATIONS

Applicable Horn	ZH-652T
Rated Input	60 W
Rated Impedance	16 Ω
Output Sound Pressure Level	110 dB (1 W, 1m) (When operated with JIS C 5504 standard horn.)
Frequency Response	150 - 8,000 Hz (When operated with JIS C 5504 standard horn.)
IP Code	IP 65 (When a driver is operated with a horn.)
Horn Coupling	1 - 3/8" - 18 threads (inch screw)
Polarity	Hot: Black, Com: White
Operating Temperature	-20° C to +55° C (-4° F to 131° F) (must be free from dew condensation)
Finish	Upper cover: Aluminum, White, Powder Coating Unit case: HIPS, White Screws: Stainless steel Speaker cable: Polyvinyl chloride insulated cabtyre cable (6 mm (0.24") in diameter, 450 mm (17.72") in length), White
Dimensions	∅139 X 108 (D) mm (∅5.47" X 4.25")
Weight	2 kg (4.41 lb)

APPEARANCE



Wiring diagram

UNIT:mm SCALE:1/3

Date: Nov 27, 2017