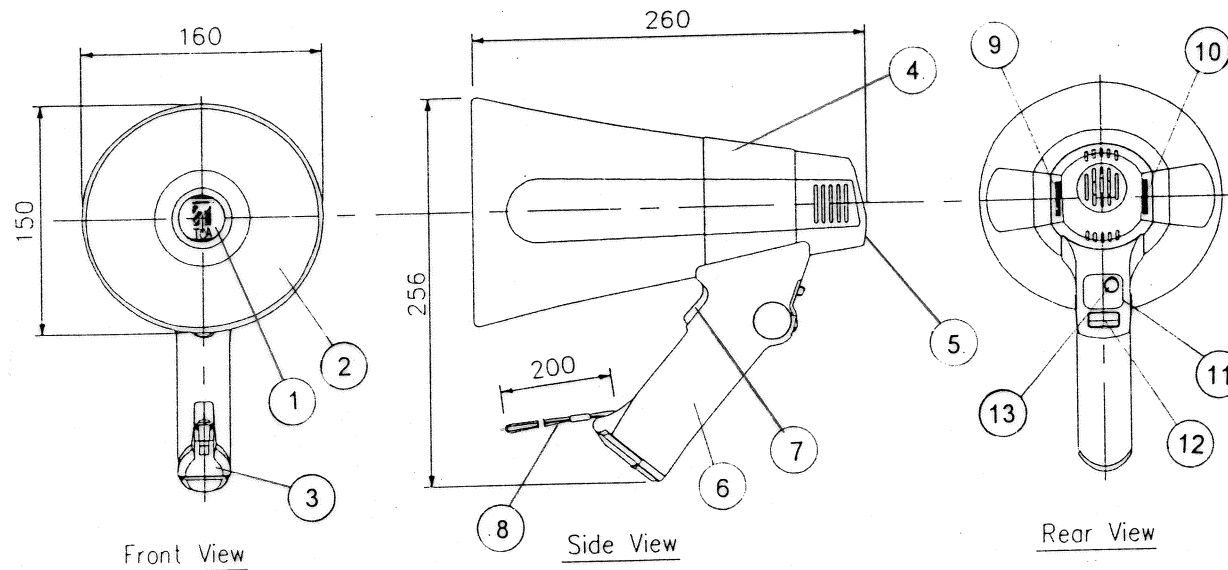


●APPEARANCE



- |                  |                   |
|------------------|-------------------|
| 1. Brand mark    | 9. Name label     |
| 2. Reflex horn   | 10. Warning label |
| 3. Battery cover | 11. Volume label  |
| 4. Amp. case     | 12. Volume knob   |
| 5. Mic case      | 13. Switch knob   |
| 6. Handle        |                   |
| 7. Trigger       |                   |
| 8. Strap         |                   |

●SPECIFICATIONS

Model	ZR-510S
Amp. output	6 W (rated) 10 W (max.)
Power source	R6P (SUM-3) or "AA" type battery x8 (12V DC)
Battery life	Approximately 10 hours (talk) Approximately 40 minutes (siren)
Audible range (city areas)	Approximately 250 m (talk) Approximately 315 m (siren)
Mouth diameter	φ150 mm
Length	260 mm
Weight	650 g (without batteries)
Finish	Horn, mic case, amp. case and handle : ABS resin, red Strap : Teton, black

All dimensions are in millimeters

TITLE :  
POWER MEGAPHONE (WITH SIREN)

MODEL :  
ZR-510S

PT TOA-GALVA INDUSTRIES

DWG. NO :  
506497019