

DESCRIPTION

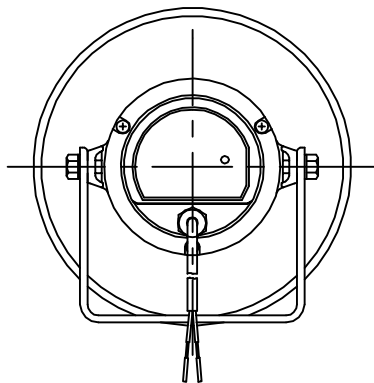
The ZH-615RM is a compact, highly intelligible speaker suited to public address announcement applications.

SPECIFICATIONS

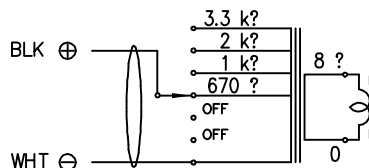
Rated Input	15 W
Line Voltage	100 V line
Rated Impedance	100 V line: 670Ω (15W), 1 kΩ (10W), 2kΩ (5W), 3.3kΩ (3W)
Sound Pressure Level	110 dB (1 W, 1 m at 500 Hz to 2.5 kHz peak level)
Frequency Response	280 Hz - 12.5 kHz
Polarity	Hot: Black, Com: White
Operating Temperature	-20 °C to +55 °C (must be free from dew condensation)
Finish	Horn flare: Aluminum, off-white Reflector horn and rear cover: ABS resin, off-white Bracket, Screws and bolts: Stainless steel Speaker cable: Polyvinyl chloride insulated cabtyre cable (6 mm in diameter, 400 mm in length)
Dimensions	∅ 196(W) x 234 (D) mm
Weight	1.3 kg

Note: Avoid installing the speaker in locations which vibrate considerably, or under environments easy to be oil-contaminated.

APPEARANCE

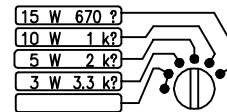


Rear View



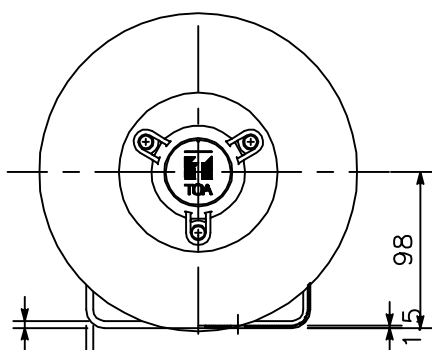
(Transformer connection when the speaker is supplied from the factory)

Wiring diagram

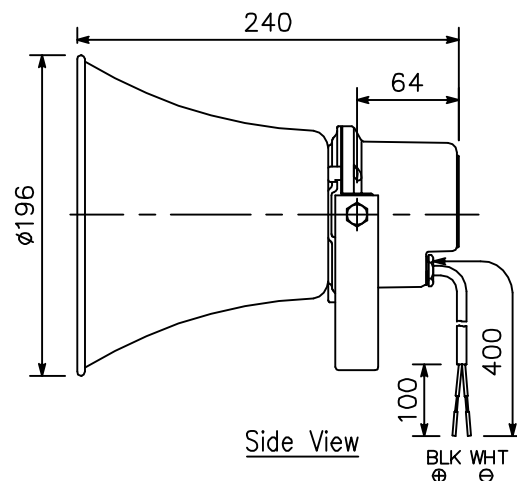


Set the impedance selector to the desired impedance.

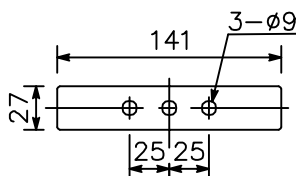
Impedance selection



Front View



Side View



Bracket dimensional diagram

UNIT:mm SCALE:1/5