

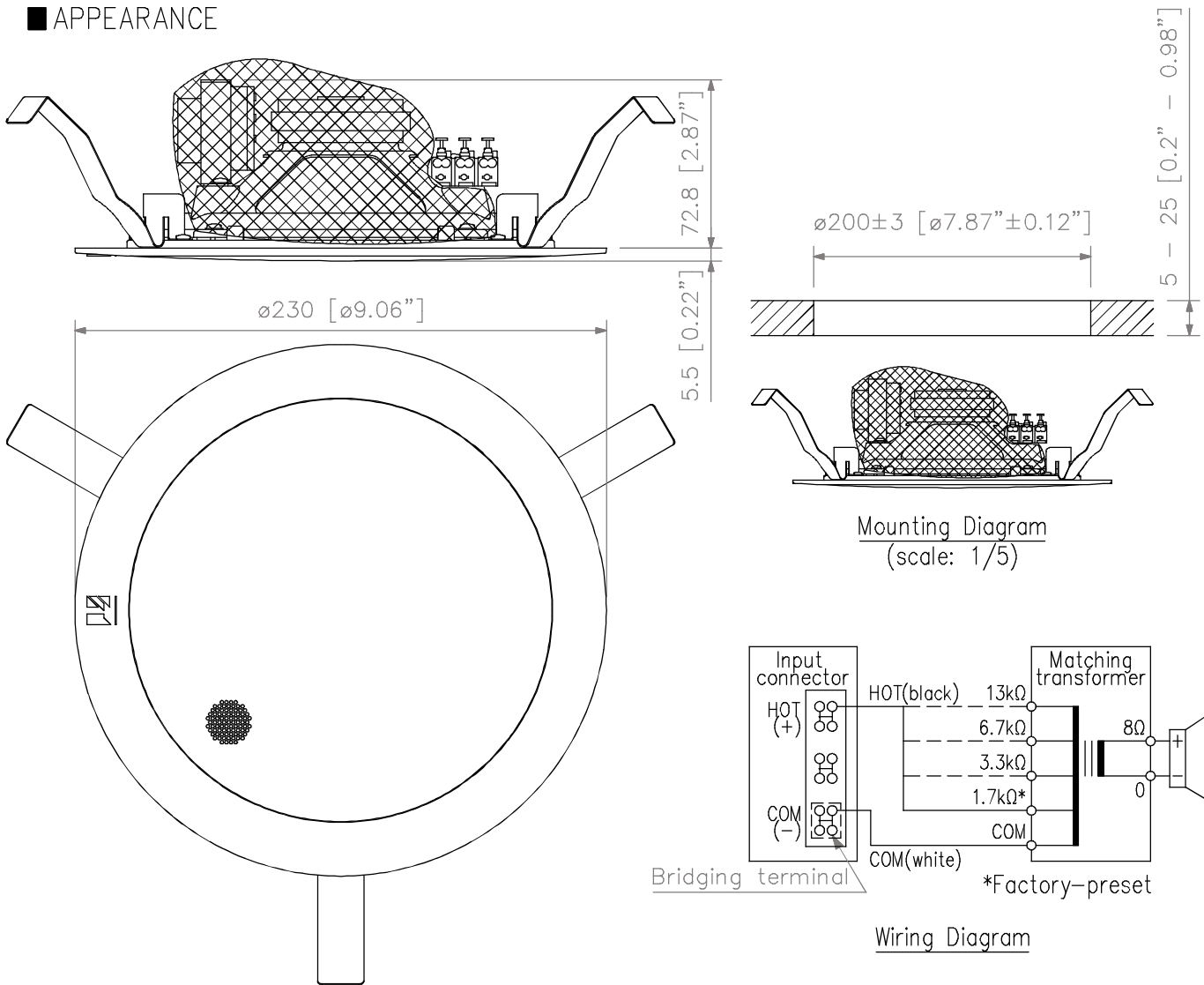
DESCRIPTION

Integrated with a speaker unit and panel, the ZS-2369 Ceiling Mount Speaker is of all metallic construction and ideal for use in a voice alarm system. It feature spring clamp mechanism for easy speaker mounting to the ceiling. The input impedance can be easily changed by changing the tap position of the transformer. The push-in type input terminal block makes cable connections easy and allows bridge wiring.

SPECIFICATIONS

| | |
|----------------------------|---|
| Rated Input | 6 W (100 V line) |
| Rated Impedance | 100 V line: 1.7 kΩ (6 W), 3.3 kΩ (3 W), 6.7 kΩ (1.5 W), 13 kΩ (0.8 W) |
| Sensitivity | 93 dB (1 W, 1 m) (500 - 5,000 Hz, pink noise) |
| Frequency Response | 45 - 20,000 Hz (peak -20 dB) |
| Speaker Component | 16 cm (6") double cone-type |
| Dimensions for Fixing Hole | Mounting hole: $\phi 200 \pm 3$ mm ($\phi 7.87" \pm 0.12"$) Ceiling thickness: 5 - 25 mm (0.2" - 0.98") |
| Speaker Mounting Method | Spring clamp |
| Applicable Cable | 600 V vinyl-insulated cable (IV wire or HIV wire) Solid copper wire: $\phi 0.8 - \phi 1.6$ mm (equivalent to AWG 20 - 14) 7-core twisted copper wire: 0.75 - 1.25 mm ² (equivalent to AWG 18 - 16) |
| Connection | Push-in connector (bridging terminal-2 branch type) |
| Finish | Baffle: Steel plate, off-white (RAL 9010 or equivalent color), paint Grille: Surface-treated steel plate net, off-white (RAL 9010 or equivalent color), paint |
| Dimensions | $\phi 230 \times 79$ (D) mm ($\phi 9.06" \times 3.11"$) |
| Weight | 760 g (1.68 lb) |
| Accessory | Paper pattern x1 |

APPEARANCE



UNIT: mm SCALE: 1/3