

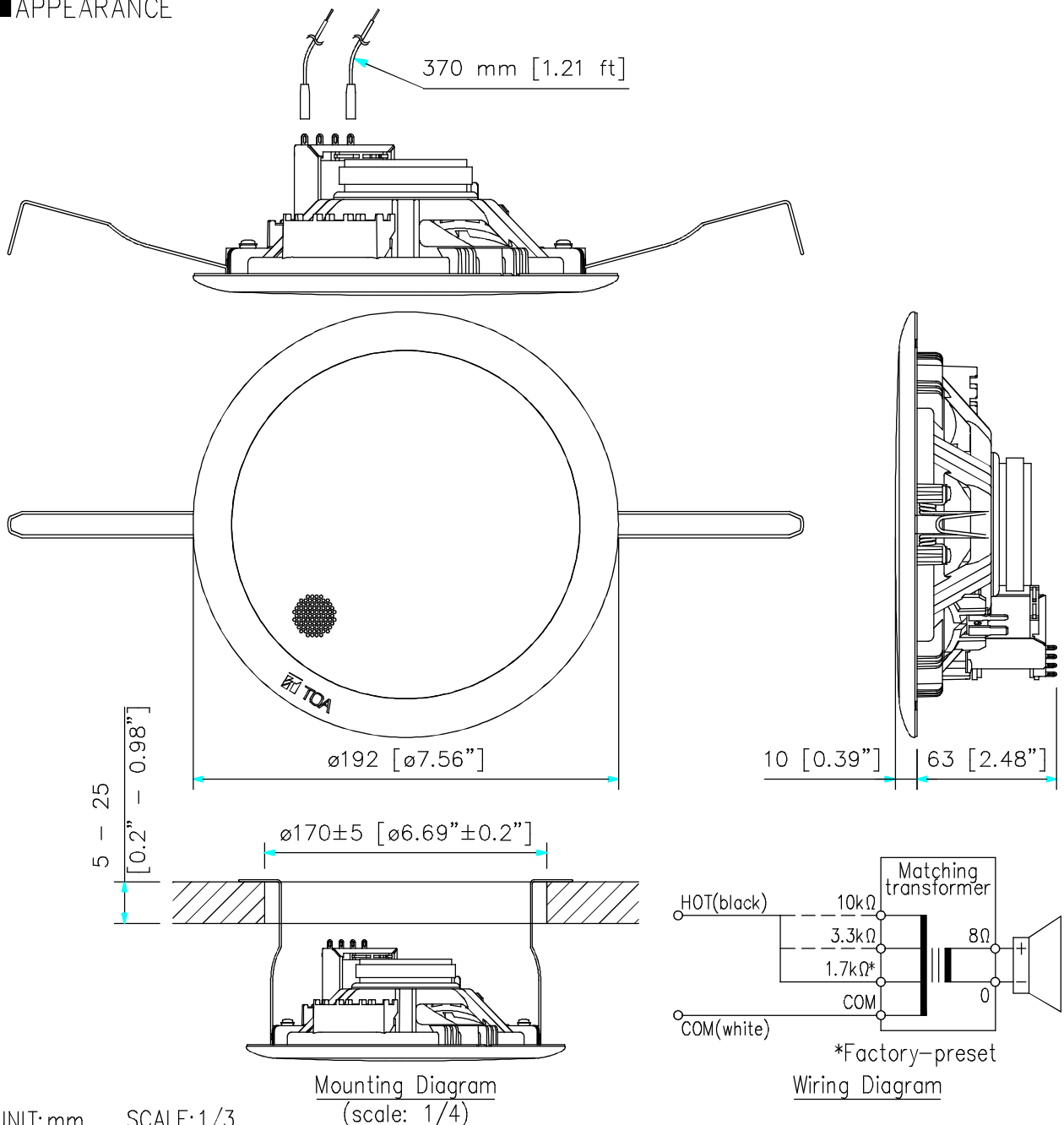
### DESCRIPTION

Integrated with a resin panel and speaker frame, the ZS-658R is the ceiling mount speaker with a metal attached. It features spring clamp mechanism for easy speaker mounting to the ceiling. The input impedance can be easily changed by changing the tap position of the transformer.

### SPECIFICATIONS

Rated Input	6 W (100 V line)
Rated Impedance	100 V line: 1.7 k $\Omega$ (6 W), 3.3 k $\Omega$ (3 W), 10 k $\Omega$ (1 W)
Sensitivity	90 dB (1 W, 1 m) (500 – 5,000 Hz, pink noise)
Frequency Response	65 – 18,000 Hz (peak –20 dB)
Speaker Component	16 cm (6") cone-type
Dimensions for Fixing Hole	Mounting hole: $\phi 170 \pm 5$ mm ( $\phi 6.69" \pm 0.2"$ ) Ceiling thickness: 5 – 25 mm (0.2" – 0.98")
Speaker Mounting Method	Spring clamp
Finish	Baffle: Polypropylene resin, off-white (RAL 9010 or equivalent color) Grille: Surface-treated steel plate net, off-white (RAL 9010 or equivalent color), paint
Dimensions	$\phi 192 \times 73$ (D) mm ( $\phi 7.56" \times 2.87"$ )
Weight	500 g (1.1 lb)
Accessory	Paper pattern x1

### APPEARANCE



UNIT:mm SCALE:1/3