

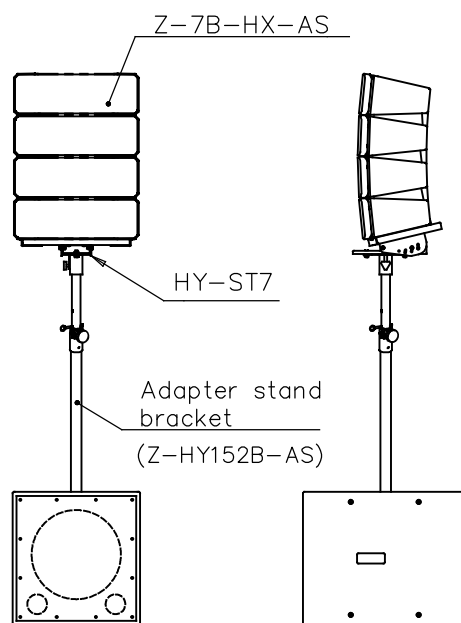
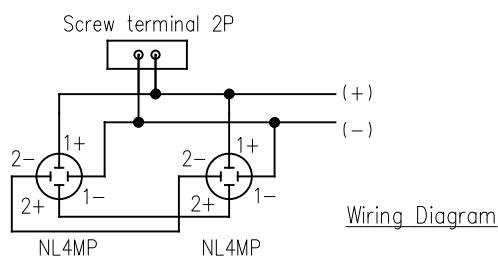
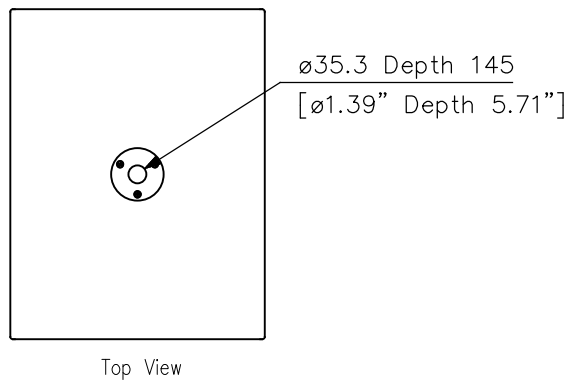
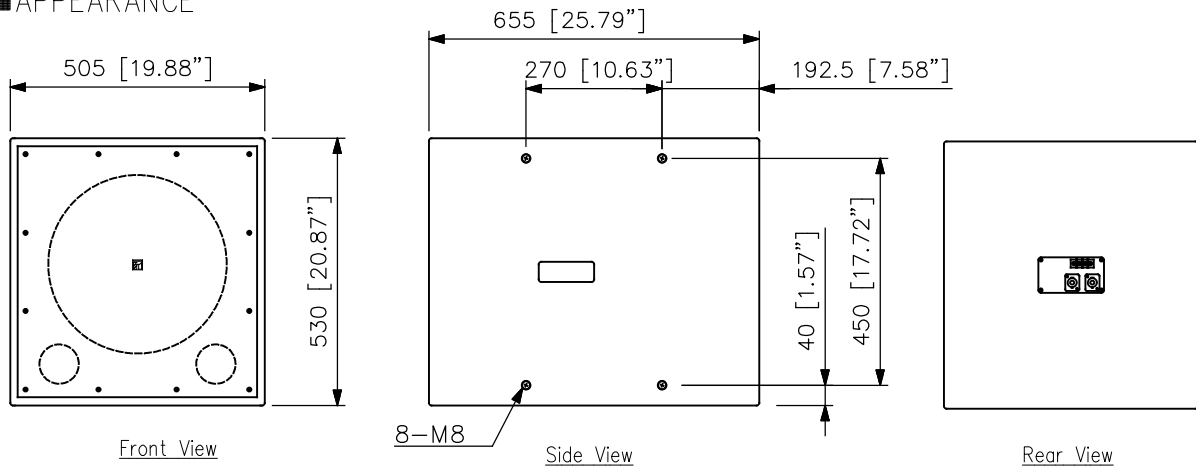
DESCRIPTION

The Z-FB152B-AS is a compact, indoor-use subwoofer system employing a high-power 38 cm (15") woofer. It is designed for use in conjunction with TOA's Z-7B-HX-AS or other full range speaker, and is particularly ideal for reproducing dynamic low-frequency sound for both permanent and temporary installations.

SPECIFICATIONS

Power Handling Capacity	Continuous pink noise: 300W Continuous program: 900W
Impedance	8 Ω
Sensitivity	91dB (1W, 1m, Avg. at 70 Hz, 100 Hz, 150 Hz)
Frequency Response	40 - 400Hz (-10dB) with DP-SP3*
Speaker Component	38cm (15") cone-type
Input Terminal	Speakon NL4MP x 2 and M4 screw terminal
Finish	Enclosure: MDF, black, urethane paint Punched net: Surface-treated steel plate, black, paint
Dimensions	505 (W) x 530 (H) x 655 (D) mm (19.88" x 20.87" x 25.79")
Weight	35kg (77.16 lb)
Option	Speaker rigging frame: ZY-PF7B-AS Applicable Stand Adapter : Z-HY152B-AS

APPEARANCE



Stage mounting example (1/30)

UNIT : mm SCALE : 1/15