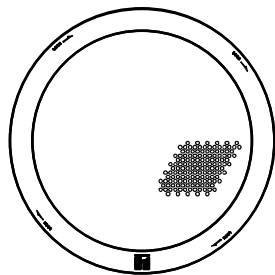


**DESCRIPTION**

The ZS-FB2862C-AS is the ceiling subwoofer that can be used for low impedance and 100 V line applications.

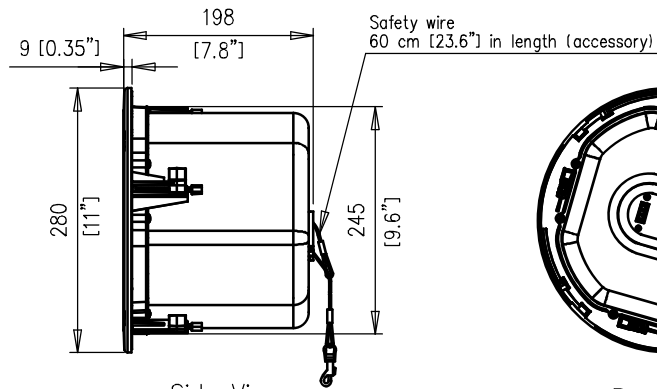
**SPECIFICATIONS**

Enclosure	Bass reflex type
Rated Input	120W (High Impedance)
Power Handling Capacity	Continuous : 60W (8Ω) (IEC60268-5) Program: 120W (8Ω)
Rated Impedance	100V line: 83Ω (120W), 170Ω (60W), 330Ω (30W), 670Ω (15W), 3.3kΩ (3W) 8Ω (120W)
Sound Pressure Level	87dB (1W, 1m) installation in 1/2 free sound field (Measured by installing the unit in the center of a ceiling or wall) 81dB (1W, 1m) installation in free sound field (Measured in anechoic chamber)
Frequency Response	60 - 250Hz (-10dB) Installation in 1/2 free sound field (Measured by installing the unit in the center of a ceiling or wall)
Speaker Component	Low frequency : 16 cm cone-type
Mounting Hole	∅250 mm (Maximum ceiling thickness: 37 mm)
Input Terminal	Removable locking connector with screw-down terminals (2 input terminals and 2 bridge terminals)
Usable Cable	Solid copper wire: ∅0.5 - ∅1.6 mm (equivalent to AWG No. 24 -14) Stranded copper wire: 0.2 - 2.5 mm <sup>2</sup> (equivalent to AWG No. 24 -14)
Finish	Enclosure: Steel plate, plating Baffle: Fire-resistant ABS resin (UL-94 V-0), black Rim: Fire-resistant ABS resin (UL-94 V-0), white (RAL 9016) Punched net: Steel plate, white (RAL 9016), paint
Dimensions	∅280 x 198 (D) mm
Weight	6.3kg (including mounting accessory)
Accessory	Grille ....1, Ceiling reinforcement ....1, Safety wire ....1, Paper pattern .... 1
Option	Anchor hanging bracket: HY-AH1, Tile bar bridge: HY-TB1

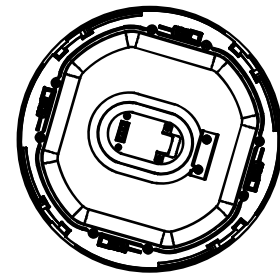
**APPEARANCE**


Front View

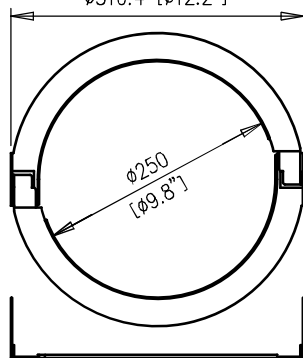
∅310.4 [∅12.2"]



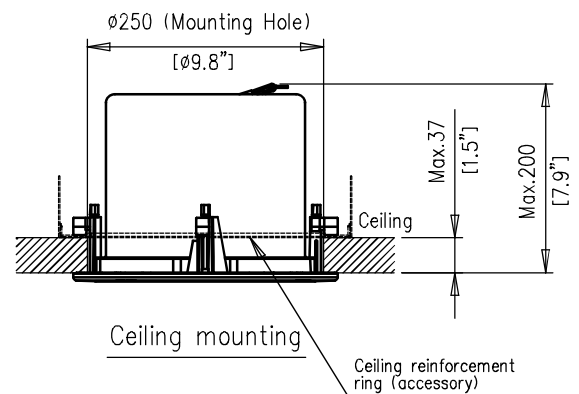
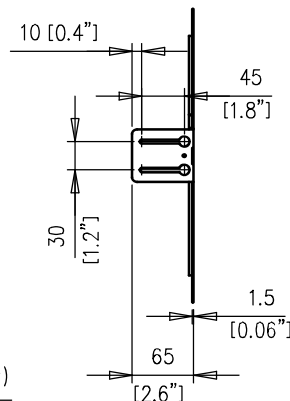
Side View



Rear View



Ceiling reinforcement ring (accessory)



Ceiling mounting

UNIT : mm [in] SCALE : 1/8